

EUROLINE

W I N D O W S

*The Art and Practice  
of Fenestration*

**INSTALLATION INSTRUCTIONS  
SMART SLIDE DOOR**



# *CONTENTS*

	Page No.
<b>Introduction</b> .....	1
Important Instructions.....	1
Materials and Tools Required.....	2
Rough Openings.....	2
Terminology.....	3
Sealant Joint Placement.....	4
Protective Film Handling.....	5
Smart-Slide Door Install- Fixed Sash Jamb - Outside .....	7
Smart-Slide Door Install - Fixed Sash Sill - Outside .....	8



# INTRODUCTION

## IMPORTANT INSTRUCTIONS

PLEASE READ BEFORE YOU START INSTALLATION

---

### IMPORTANT

Leaving tightly spaced windows/doors in the sun can result in overheating of the sealed units and extrusions, which may result in damage. Ensure that product is secured to a wall to prevent any damage

---

### IMPORTANT

Improper installation may void all warranties expressed or implied. Installation Instructions are also available on our website.

---

### CONTACT INFORMATION

EuroLine Windows Inc.  
7620 MacDonald Road,  
Delta BC V4G 1N2

Telephone: 604-940-8485

Fax: 604-940-8486

Toll-Free: 1-800-337-8604

Web Site: 1-800-337-8604

#### RECEIVING:

Carefully inspect all windows and doors at the time you receive them and again at the time you install them. Any visible defects with the product must be reported to EuroLine before installation begins.

#### HANDLING:

Window and door units are to be handled carefully to avoid damage. They must be moved in the vertical position. If the product is supplied with a flange it must rest on shipping blocks that are temporarily attached.

**COLD WEATHER CAUTION: Use special care when handling or installing below 5° C (40°F). Avoid any impact to frames, sash, or glazing beads.**

#### STORAGE:

Store the units at a slight lean against a wall on a flat, level area, undercover. Allow adequate spacing between the products for ventilation.

#### BUILDING CODES:

It is the responsibility of the owner, architect, or builder to select and install products in compliance with applicable laws, regulations, and building codes.

#### BUILDING ENVELOPE:

To minimize the danger of leakage at window openings, various other items, such as properly configured head flashings, perimeter penetration flashings, sealant joints, building wraps, and similar components, are of critical importance. Typically, some of these components need to be installed prior to the window installation, while others must follow the window installation. The specific configurations of such flashings and similar components are dependent on the specific wall construction and assembly and should be determined by the project architect, a building envelope specialist, or a similar design professional. This manual does not address such items, and EuroLine is not responsible for the proper design or installation of these.

#### INSTALLATION:

Proper installation is necessary for this window or door to perform as designed and rated for water and air resistance. **EuroLine products must be installed plumb, level, and square.**

#### SHOP DRAWINGS:

If you have EuroLine shop drawings, refer to these for **specific installation instructions.**

### **CARE AND MAINTENANCE:**

Protect windows/doors from welding splatter, grinding sparks, concrete, mortar, stucco, paint, and other harmful construction materials. To clean vinyl, use a mild soap and water solution. To clean the glass, use a soft, grit-free cloth and glass cleaner. On all operable windows and doors, keep the channel at sill free of debris and protect sills from traffic damage. Keep all weep holes open for proper drainage. The protective film must be removed on completion of installation. Clean and lubricate all hardware after construction. Ongoing maintenance and adjustments are described in our maintenance manual, available by contacting our sales office or visiting our website.

### **PERFORMANCE DATA:**

Our products are tested to ASTM test standards, CSA A440 Standards, and are NFRC certified for thermal performance. Data is available upon request.

## *MATERIALS AND TOOLS*

### **Tools**

- Spirit level
- Framing hammer
- Screwdriver/screw gun
- Tape measure
- 11 mm wrench
- 4 mm Allen key

### **Materials**

- Shims: use non-deteriorating, non-swelling, hard plastic (4"x1 ½ ") of several thicknesses to suit. Shims may be purchased from Euro-Line Windows in thickness of 2,3,4,5, and 6 mm.
- 2" Galvanized Roofing Nails (10 ½ ga.)
- 1 ½" #10 Pan Head Tapping Screws (cad plated)

## *ROUGH OPENINGS*

Make sure that the rough openings are square, and that they have a level sill and plumb (vertical) jambs. Make sure that the outside face of the wall is straight and plumb. If a rough opening is out-of-square, adjust the thickness of the shim blocks as necessary to make sure that you install the window or door frame in a square, level and plumb way.

If you see any rough openings that are not acceptable for frame installation, tell the general contractor or the party responsible for the construction. Get written authorization from the general contractor or from the responsible party before you install frames in unacceptable openings.

Make sure that the general contractor corrects the rough opening if you find the rough opening does not allow you to install the frame perfectly level, square, straight in every direction and plumb, and does not provide a minimum of 3/8" (10 mm) and no larger than 1/2" (12 mm) clearance between the top of the frame and the top of the rough opening.

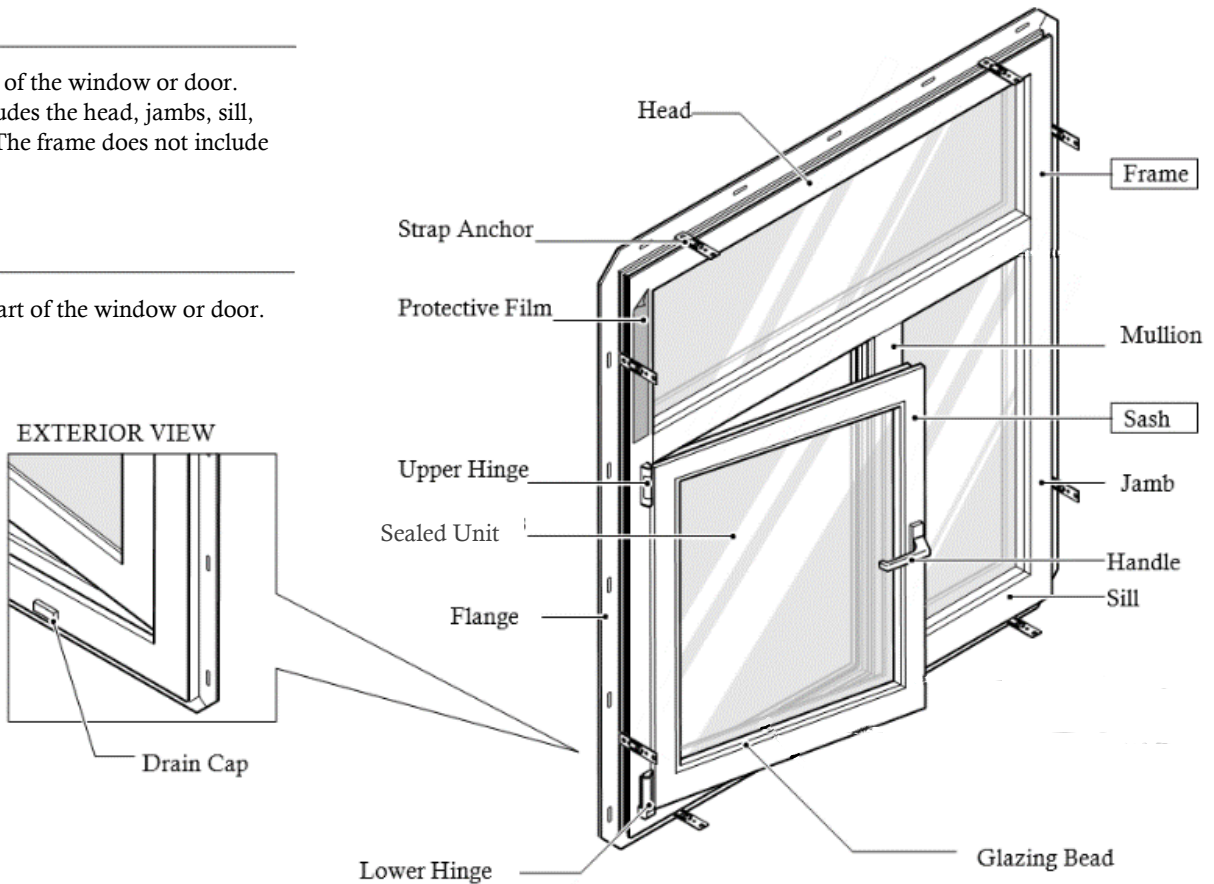
# *TERMINOLOGY OF TILT & TURN WINDOW*

## **FRAME**

The fixed parts of the window or door. The frame includes the head, jambs, sill, and mullions. The frame does not include the sash.

## **SASH**

The movable part of the window or door.





# *PROTECTIVE FILM REMOVAL*

## **CAUTION**

---

Removing the film may result in static discharge. To help reduce the chances of static discharge, consider wetting the film and/or reducing the speed of removal. Do not remove film in the presence of flammable or explosive chemicals. Including materials or substances that come in contact with these chemicals.

PFG Protective Film protects glass surfaces against damage during shipping, handling, and damage caused by other trades during construction. This clear protective film can be applied to the outboard surface #1 or in combination with surface #4 of dual IGUs, or surface #6 for triple IGUs.

## **Timeline for Removal**

PFG Protective Film applied to the outboard surface #1 should be removed within 9 months of delivery for best results. The film should be removed at a glass temperature between 0° and 60°F (-17 C° and 15C°). Typically, as the film is exposed to UV, humidity and heat, the adhesion of the film to glass will increase. In addition, as the temperature at removal decreases, the adhesion of the film to glass will typically increase. Under normal circumstances, removing the film within 9 months will help ensure easy removal with little to none of the film adhesive remaining on the glass.

Use of high absorption coatings, tints, or Cardinal i89 Low-E on surfaces #4 or #6, may affect adhesion. As such, it is advised to remove the film a few months less than the allotted 9 months.

## **CONSIDERATIONS**

---

PFG Protective Film has been tested for resistance to chemicals commonly found in building and window manufacturing. These include, but was not limited to:

- Resistance to water and air based stains
- Paints and varnishes
- Adhesives
- Sealants
- Cement
- Stucco and brick wash solution (muriatic acid) 20 to 1 dilution

PFG Protective Film is applied in horizontal lengths overlapping from edge to edge. To facilitate removal, start from one edge of the overlapping regions and pull away from each strip of film. A plastic scraper or plastic putty knife can be used to help where removal requires assistance. Do not use knives, razors, or any sharp metal blades.

Any remaining adhesive can be removed using a citrus-based cleaner. Any residual lines left behind that are visible during wet conditions are similar to those of suction cup marks. They are not classified as defects.

Should you have any questions, please contact your EuroLine Windows Design Representative.

## **NOTE**

---

The above list is not an exhaustive. The chemical makeup of products can be reformulated over time. If in doubt, test for exposure compatibility. Exposure to any chemicals should be kept to a minimum.

Buckling of film may occur if environmental or situational temperatures exceed 60°C.

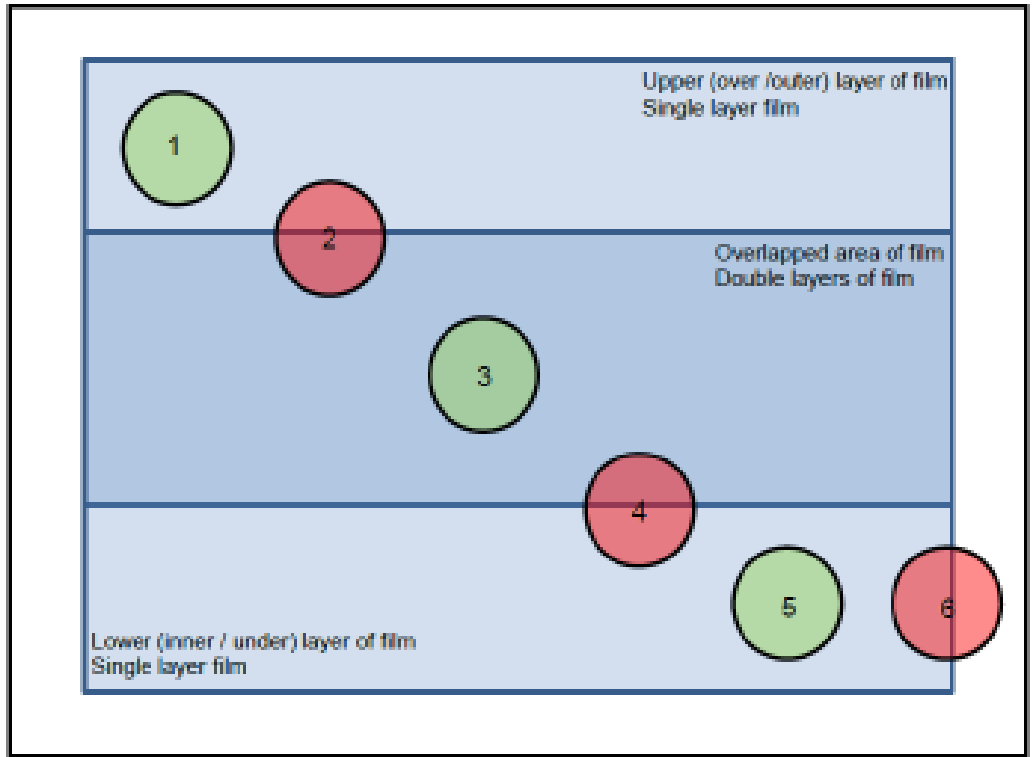


**Handling**

**NOTE**

**DO NOT** pressure wash the film as it may cause the film to lose adhesion.

IGUs with PFG Protective Film can be handled using suction cups. Some air may become trapped under the film. This air will typically dissipate with time. Center the cups over the overlapping layers of film for best results.

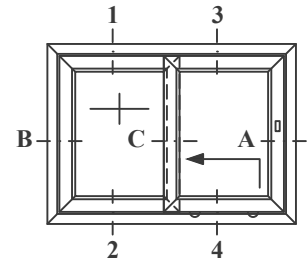
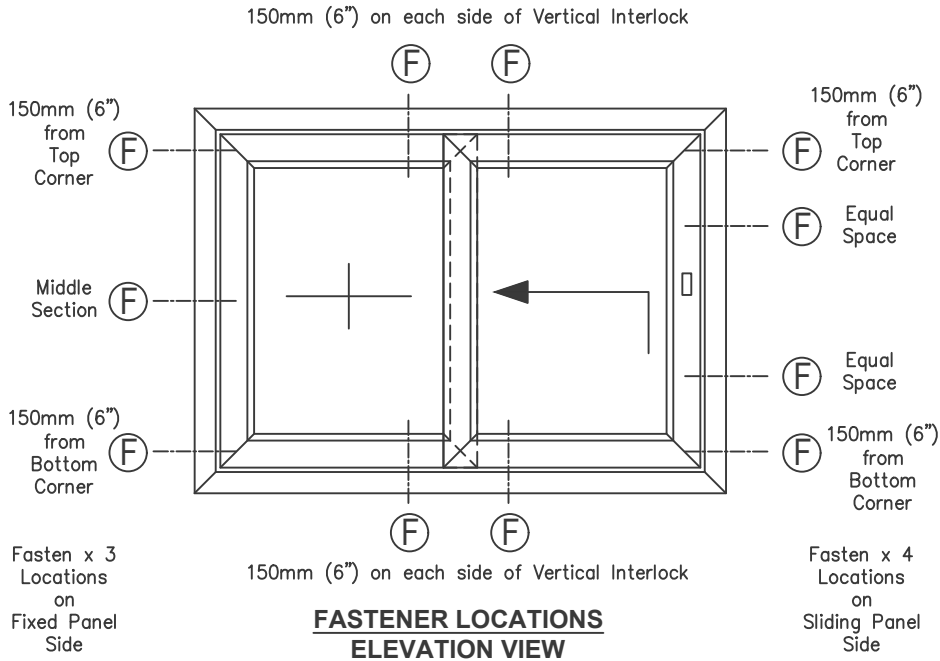


**Location Key**

1. Suction cup completely on upper layer --- Recommended Placement
2. Suction cup partially on overlap area, partially on upper layer--- Not Recommended Suction cup on completely on overlap --- Recommended Placement
3. Suction cup partially on the overlap and partially on lower layer --- Not Recommended Suction cup completely on lower layer --- Recommended Placement
4. Suction cup over any edge of protected area --- Not Recommended

# Series 3800 Smart-Slide Door Install - OX & XO Configurations

## Fixed Sash Jamb - Outside



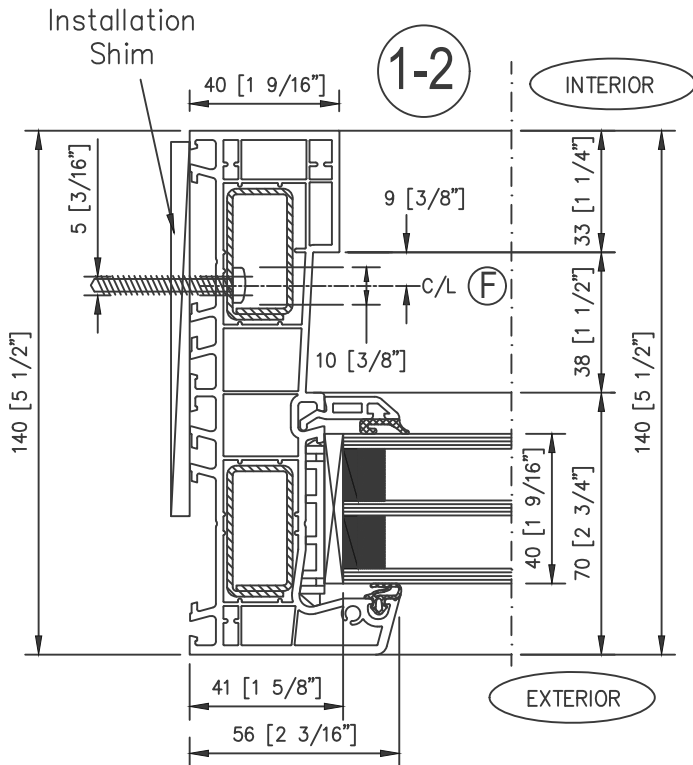
**ELEVATION VIEW (EXTERIOR SIDE)**



**PLAN VIEW (EXTERIOR SIDE)**

ⓕ -Denotes fastener location

Also Refer to Shim locations



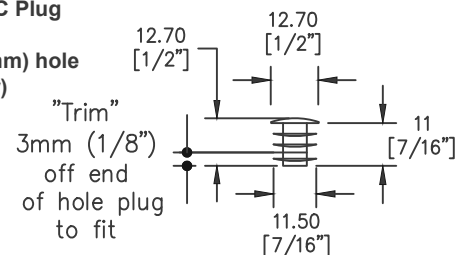
**B** Left cross section: Fixed door sash jamb - outside

### Fastening Through External Perimeter Frame (Denoted by F)

Applies to all perimeter frame sides (Head, Sill & Jambs)

- Pre-drill 5mm (3/16") diameter hole through both sides of uPVC frame and galvanized steel tube
- Drill 10mm (13/32") diameter hole through first inner uPVC frame wall and first layer of galvanized steel tube wall
- Ensure proper shimming at each fastener location
- Fasten through hole using #10 x 3-1/2" Panhead corrosion resistant fastener (Do not over torque as this may distort the frame)
- Plug hole in uPVC frame using 10mm PVC plug (black or white color)

Finishing 1/2" (13mm) PVC Plug for 13/32" (10mm) to 7/16" (11mm) hole (Black or white color)



Drawing #: 3800-DR-SSD-FS-JAMB-INSTALL-OX-R2

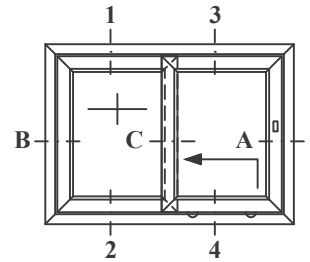
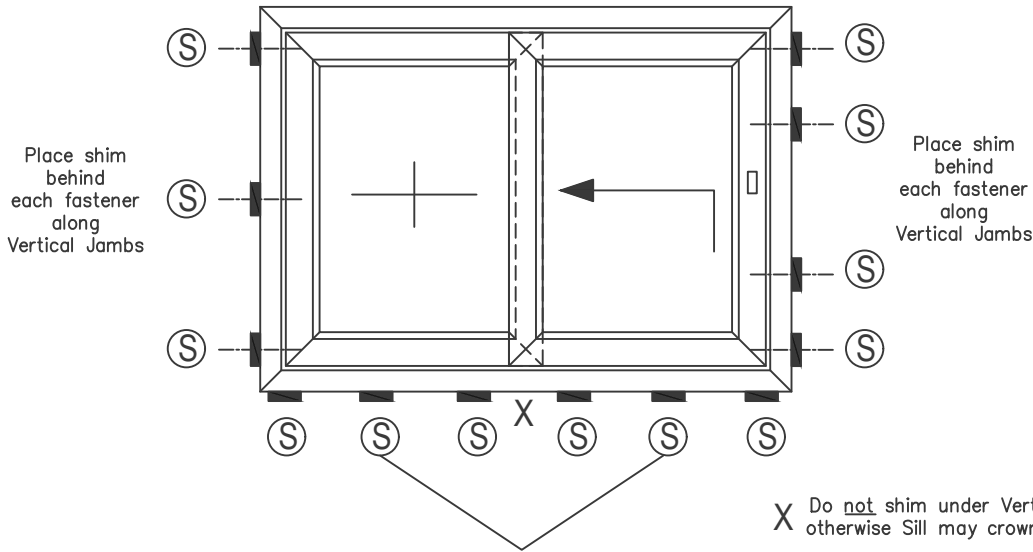
Date: 18 SEPT. 2020

Scale: 1:2

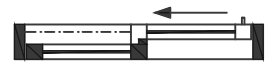
# Series 3800 Smart-Slide Door Install - OX & XO Configurations

## Fixed Sash Sill - Outside

Do not shim at Head



**ELEVATION VIEW  
EXTERIOR SIDE**



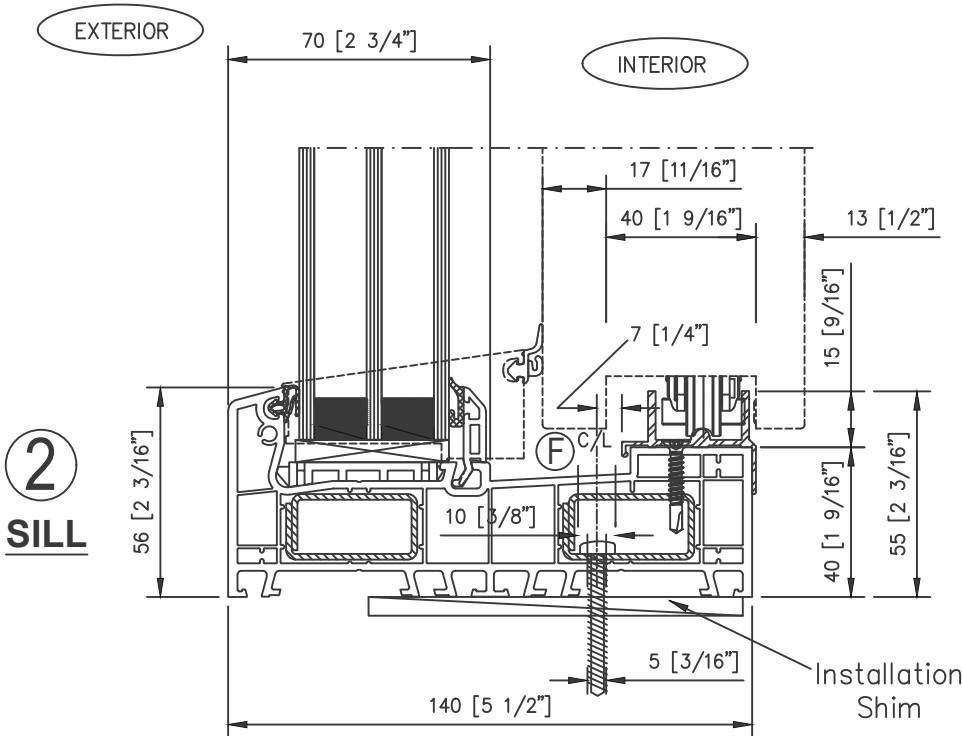
**PLAN VIEW  
EXTERIOR SIDE**

After door system is leveled & squared -  
slide shims under center area of each panel

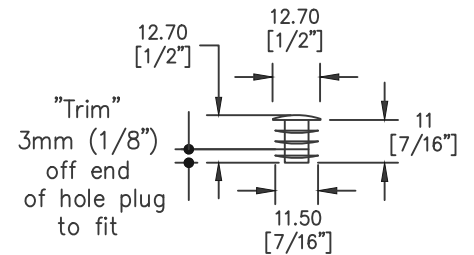
### SHIM LOCATIONS ELEVATION VIEW

(S) -Denotes shim location  
Typical shim size is 100mm (4") x 38mm (1-1/2") with varying thicknesses

Clearance per side between frame heel and building rough frame opening  
= 13mm (1/2") +/- 3mm (1/8")



Finishing 1/2" (13mm) PVC Plug  
for  
13/32" (10mm) to 7/16" (11mm) hole  
(Black or white color)



Drawing #: 3800-DR-SSD-FS-SILL-INSTALL-OX-R2

Date: 18 SEPT. 2020

Scale: 1:2

For more information on these quality products  
please contact:

**EuroLine Windows Inc.**

7620 MacDonald Road  
Delta, BC. Canada V4G 1N2

**T. 604.940.8485**

F. 604.940.8486

E. [service@euroline-windows.com](mailto:service@euroline-windows.com)

W. [www.euroline-windows.com](http://www.euroline-windows.com)

**Toll Free: 1 800 337.8604**

Other publications available from EuroLine Windows Inc. can be  
found on our website ([www.euroline-windows.com](http://www.euroline-windows.com)).

Do not reproduce this manual without prior written permission from Euroline Windows Inc.