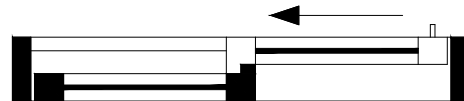


ELEVATION VIEW
EXTERIOR SIDE



PLAN VIEW
EXTERIOR SIDE



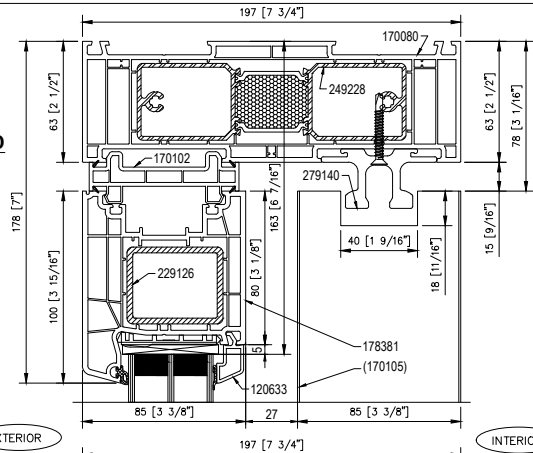
EUROLINE
WINDOWS

Title:
3600 SERIES - LIFT & SLIDE DOOR

Drawing:
Elevations

Drawn: AM	Date: 2021-06-25	
Drawing no. 1		Revision no. 1

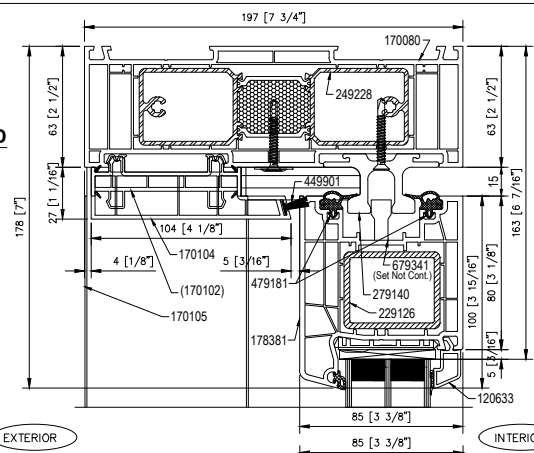
① HEAD



EXTERIOR

INTERIOR

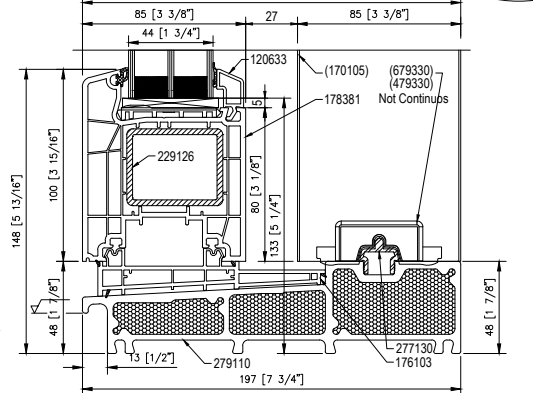
③ HEAD



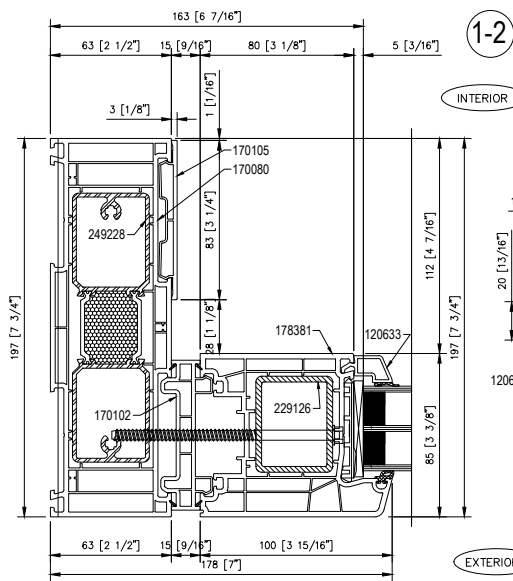
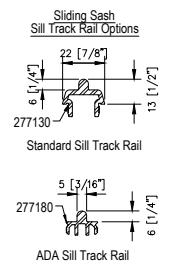
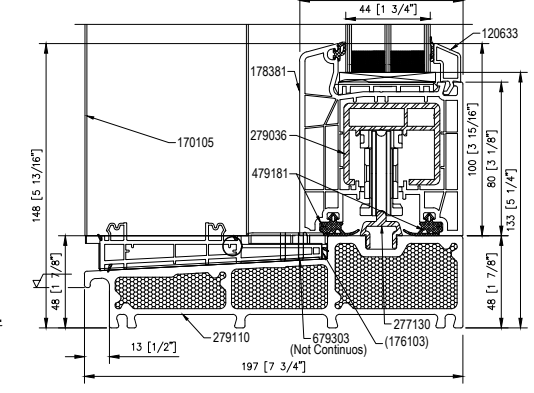
EXTERIOR

INTERIOR

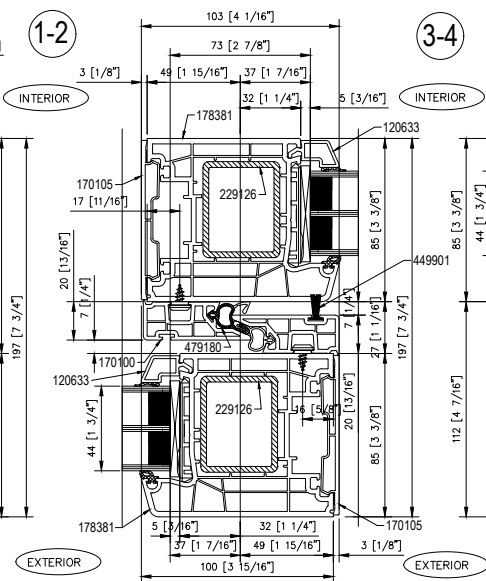
② SILL



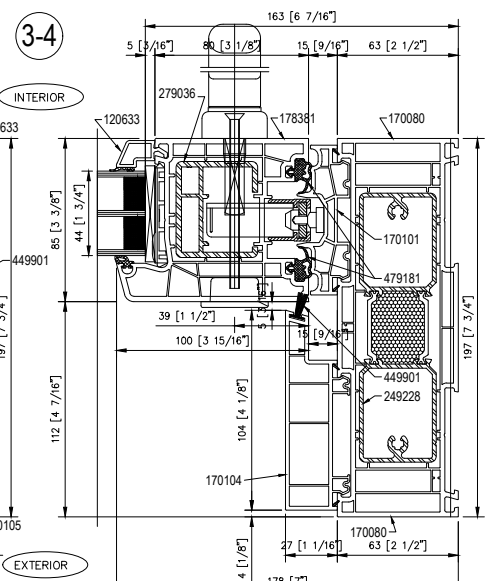
④ SILL




② Left cross section: Fixed door sash - outside



④ Middle cross section: Sliding door interlock



③ Right cross section: Sliding door sash - inside

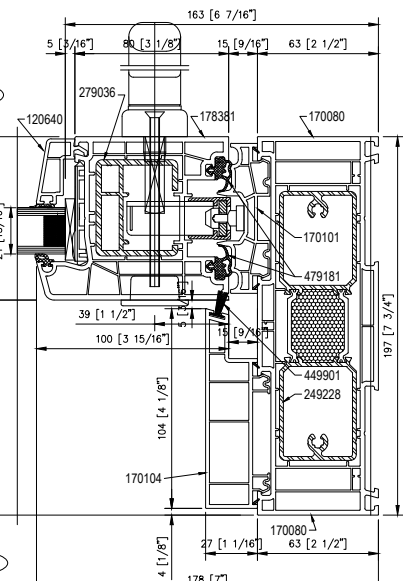
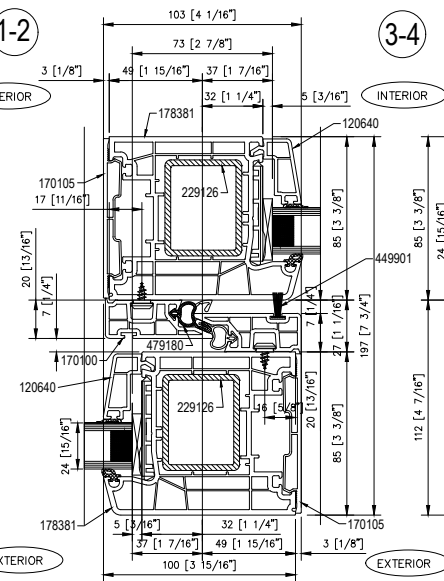
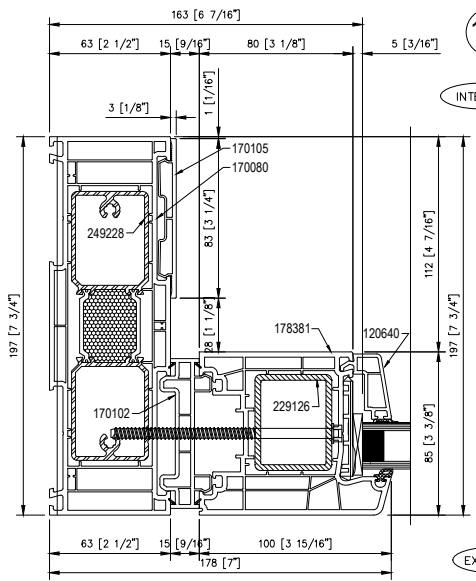
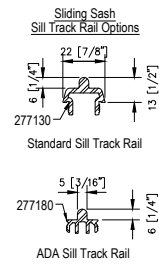
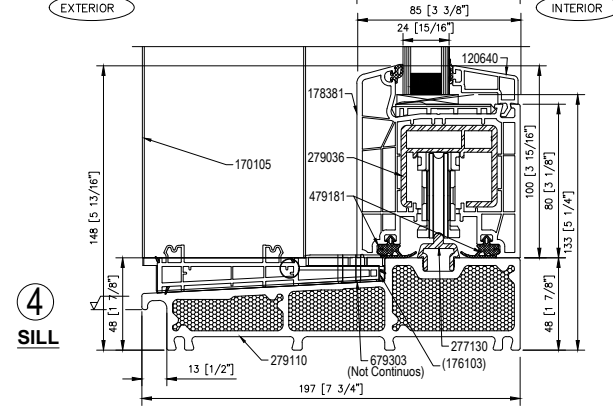
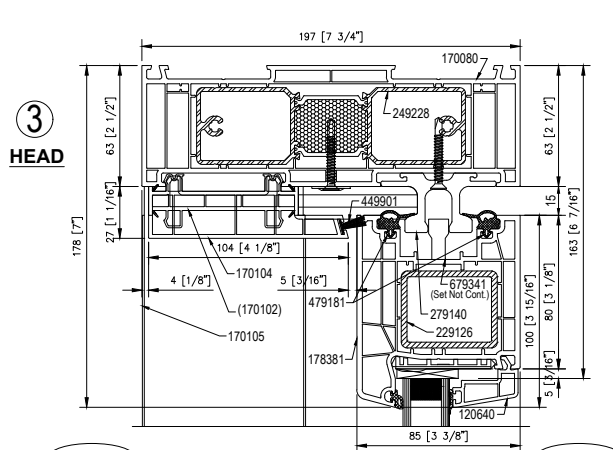
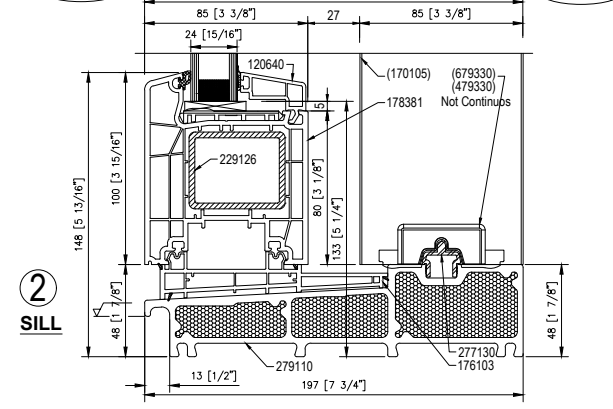
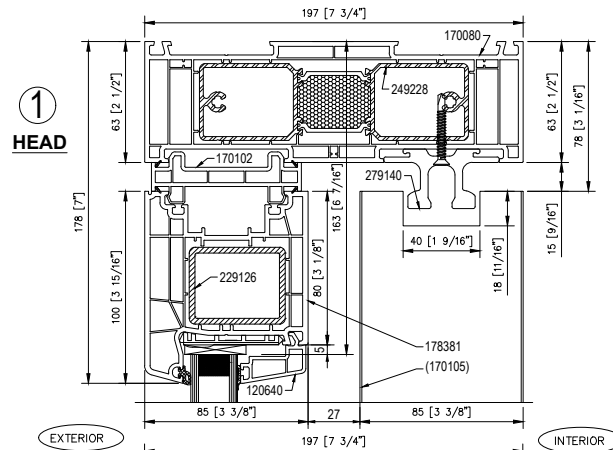


EUROLINE
WINDOWS

Title:
3600 SERIES - LIFT & SLIDE DOOR

Drawing:
44mm (1-3/4")
Triple Glaze

Drawn: AM	Date: 2021-06-25
Drawing no. 2	Revision no. 1



B Left cross section: Fixed door sash - outside

C Middle cross section: Sliding door interlock

A Right cross section: Sliding door sash - inside



Title:
3600 SERIES - LIFT & SLIDE DOOR

Drawing:
24mm (15/16")
Double Glaze

Drawn: AM	Date: 2021-06-25
Drawing no. 3	Revision no. 1