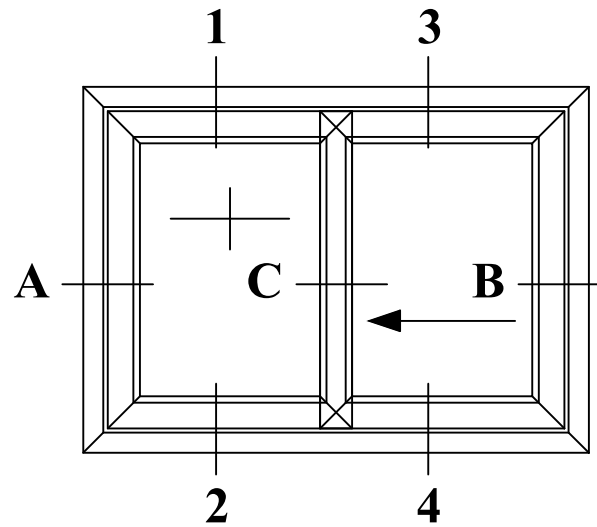


OX



ELEVATION VIEW
EXTERIOR SIDE



PLAN VIEW
EXTERIOR SIDE

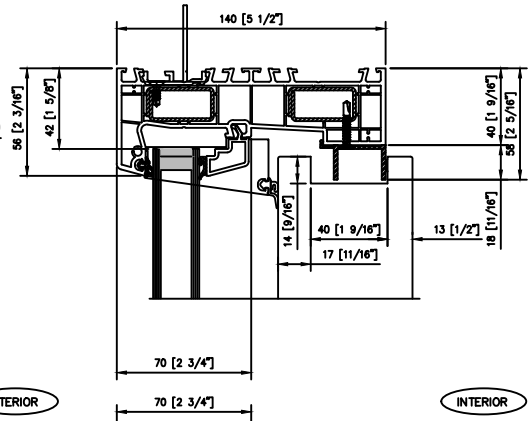


Title:
3800 SERIES - SMART SLIDE

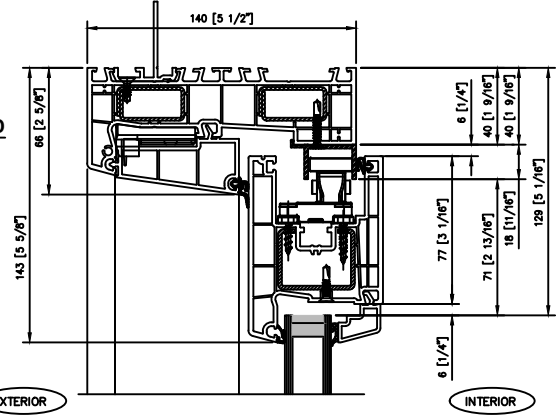
Drawing:
Elevations

Drawn: AM	Date: 2023-02-06
Drawing no. 1	Revision no. 1

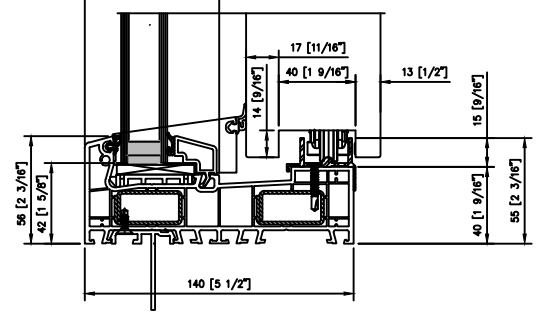
①
HEAD



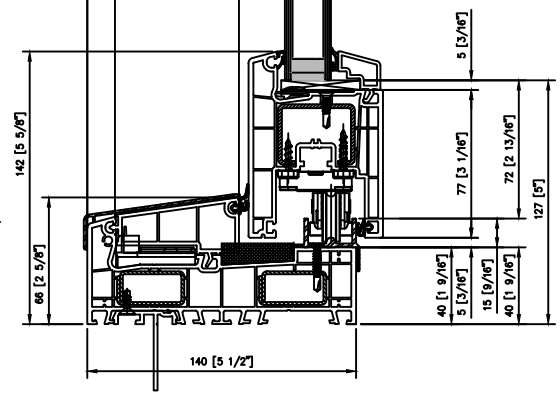
③
HEAD



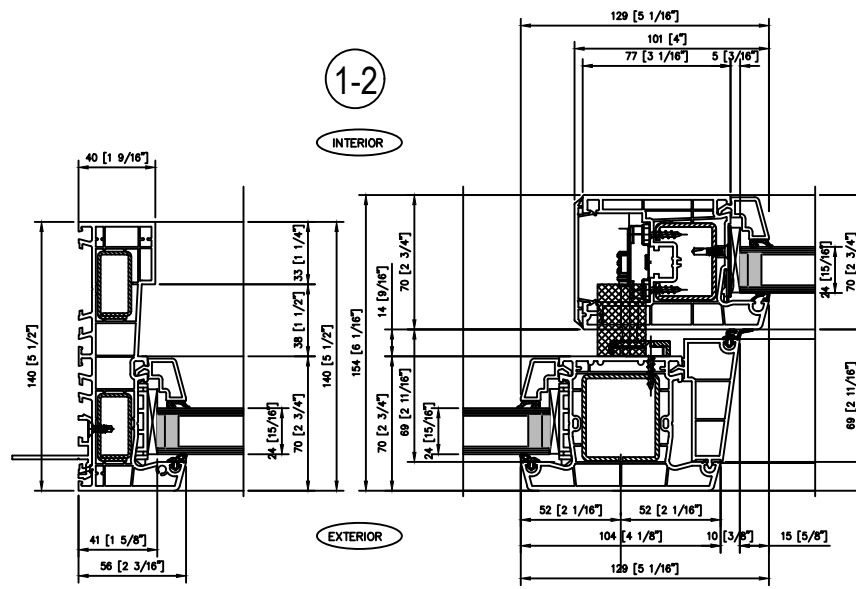
②
SILL



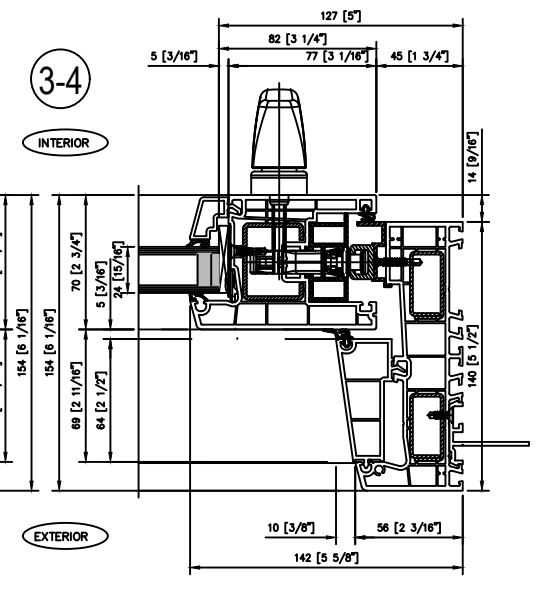
④
SILL



1-2



3-4



Ⓐ Left cross section:
Fixed door sash - inside

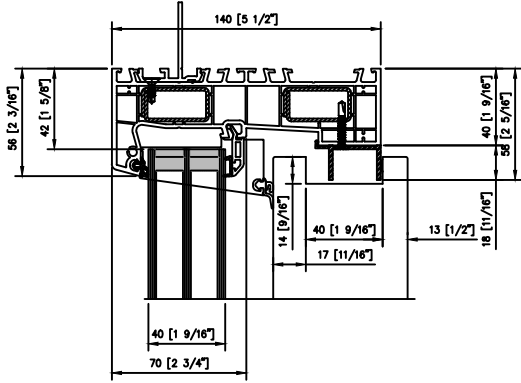
Ⓒ Middle cross section:
Sliding door interlock

Ⓑ Right cross section:
Sliding door sash - outside

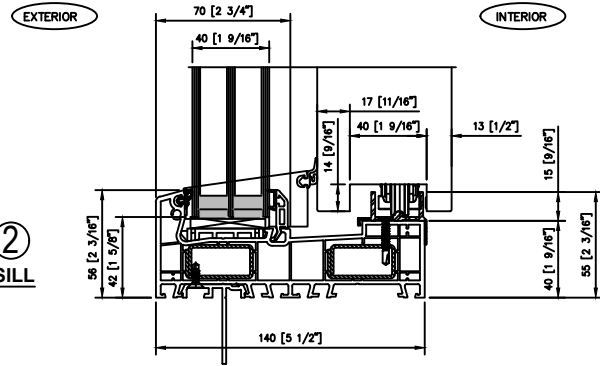


Title:	
3800 SERIES - SMART SLIDE	
Drawing: Double Glaze 24mm (15/16") OX configuration	
Drawn: FX	Date: 2023-02-06
Drawing no. 3	Revision no. 2

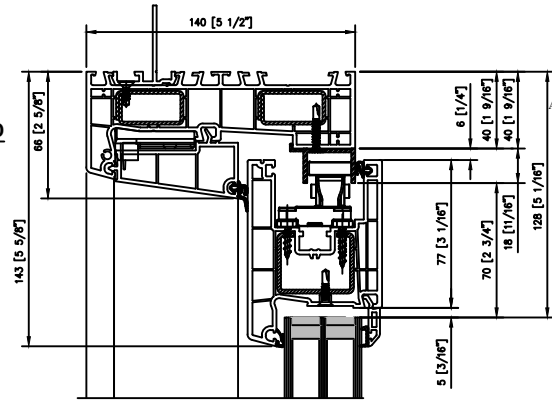
①
HEAD



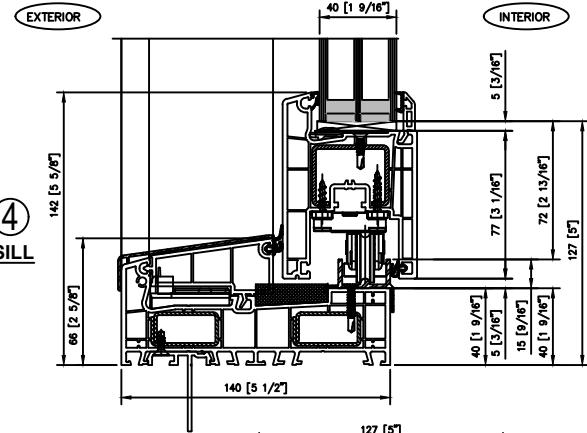
②
SILL



③
HEAD

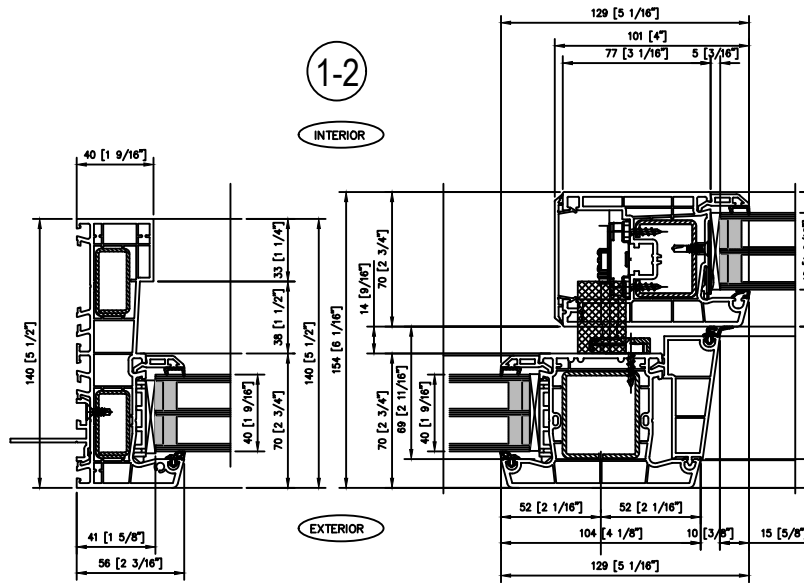


④
SILL



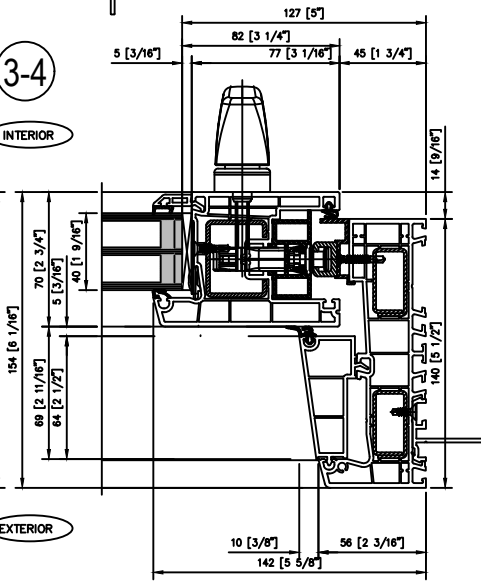
1-2

INTERIOR



3-4

INTERIOR



A Left cross section:
Fixed door sash - inside

C Middle cross section:
Sliding door interlock

B Right cross section:
Sliding door sash - outside

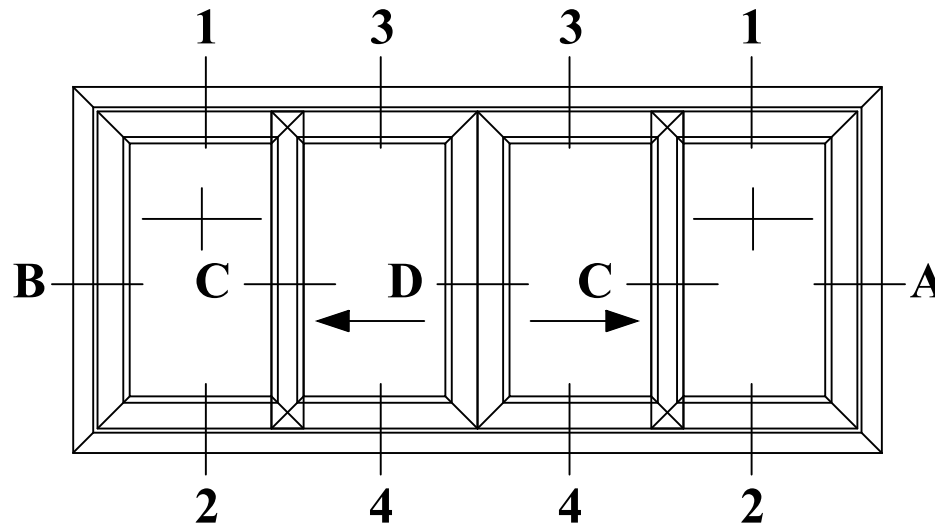


Title:
3800 SERIES - SMART SLIDE

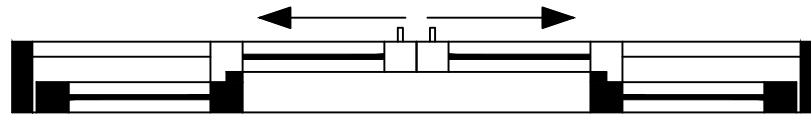
Drawing:
Triple Glaze 40mm (1-9/16")
OX configuration

Drawn: RX	Date: 2023-02-06
Drawing no. 2	Revision no. 2

OXXO



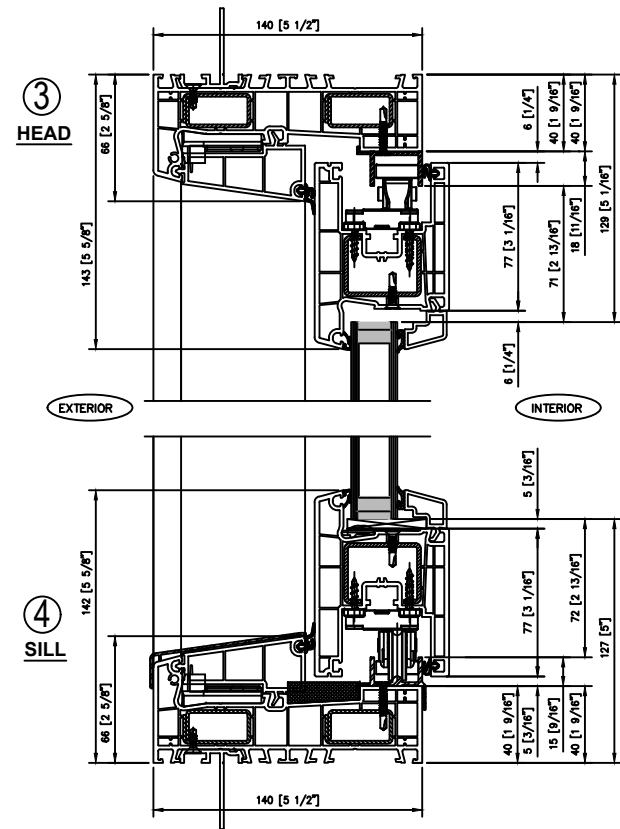
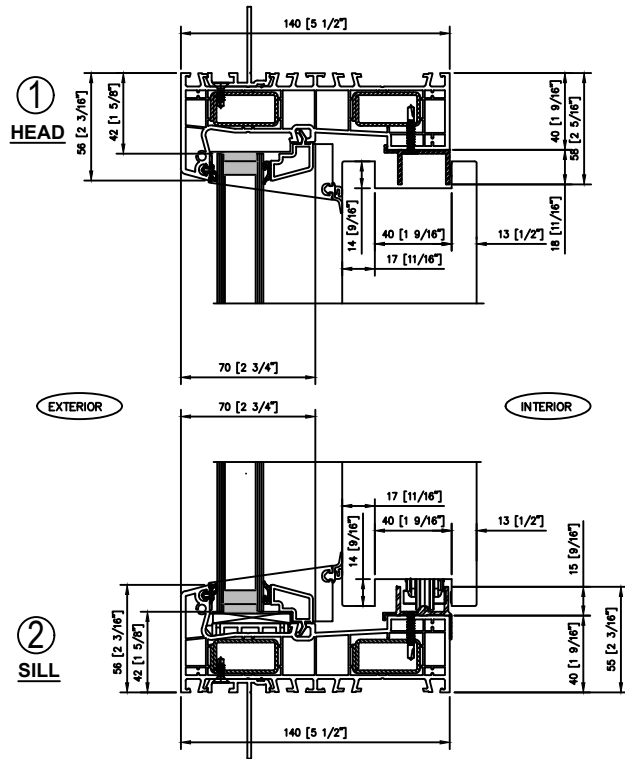
ELEVATION VIEW EXTERIOR SIDE



PLAN VIEW EXTERIOR SIDE



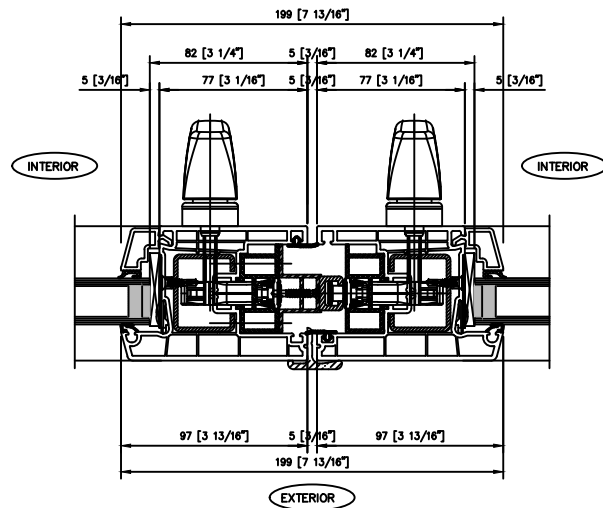
Title:	
3800 SERIES - SMART SLIDE	
Drawing: Elevations	
Drawn: FX	Date: 2023-02-08
Drawing no. 4	Revision no. 1



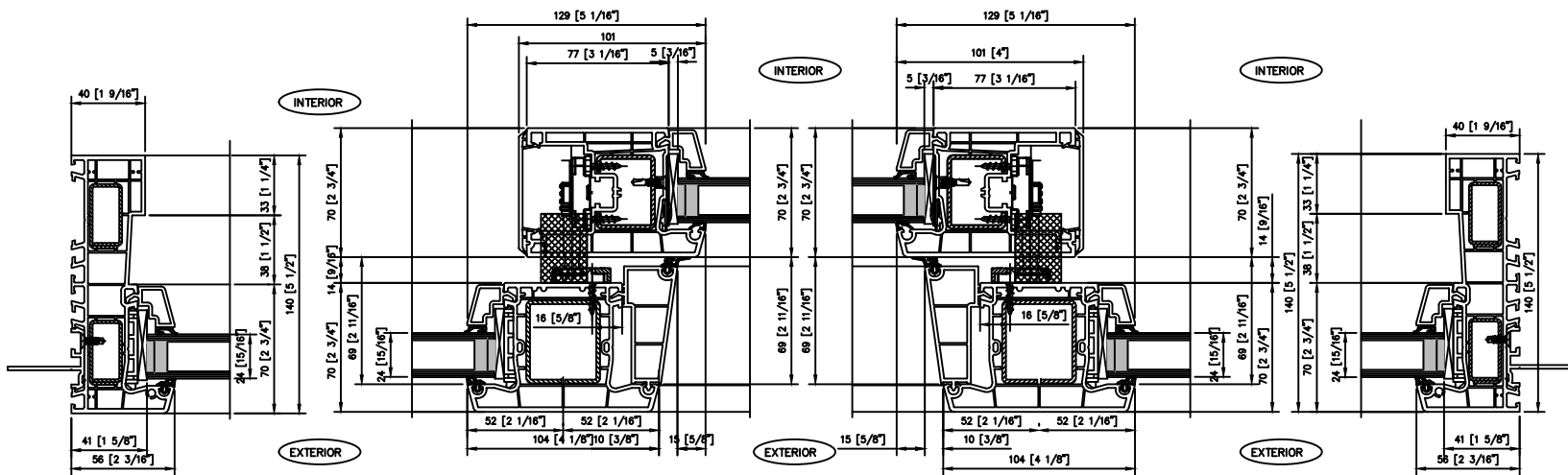
Title:
3800 SERIES - SMART SLIDE

Drawing:
Double Glaze 24mm (15/16")
OX configuration

Drawn: RX	Date: 2023-02-06	
Drawing no. 5		Revision no. 0



D Mid. cross section:
meeting rail - interlock



B Left cross section:
Fixed door sash - outside

C Mid. cross section:
Sliding door interlock

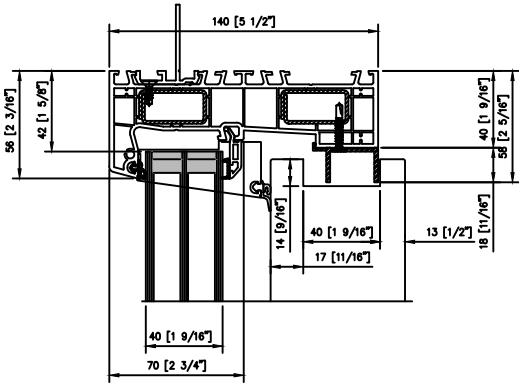
C Mid. cross section:
Sliding door interlock

A Right cross section:
Sliding door sash - inside



Title:		
3800 SERIES - SMART SLIDE		
Drawing: Double Glaze 24mm (15/16") OX configuration		
Drawn: RX	Date: 2023-02-06	Revision no. 1
Drawing no. 6		

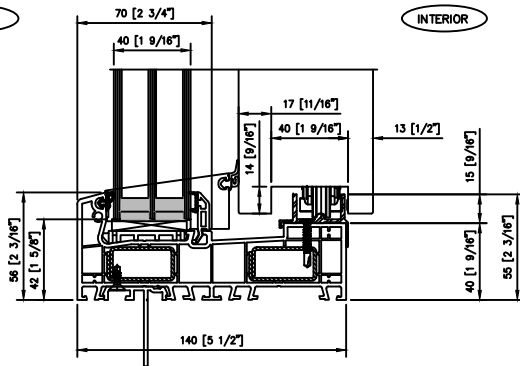
①
HEAD



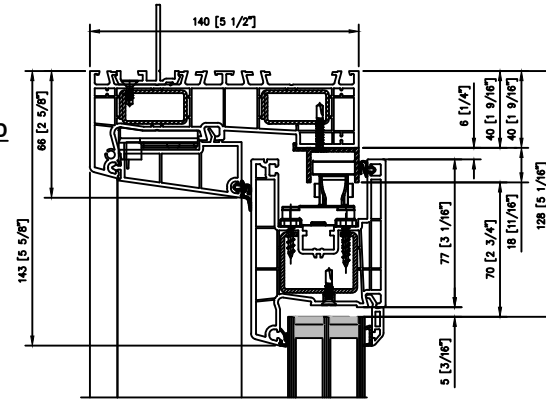
EXTERIOR

INTERIOR

②
SILL



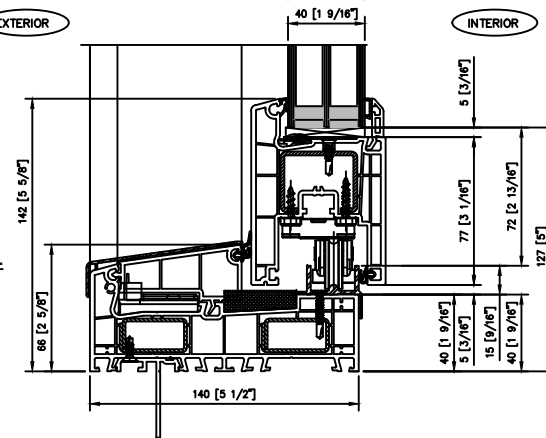
③
HEAD



EXTERIOR

INTERIOR

④
SILL

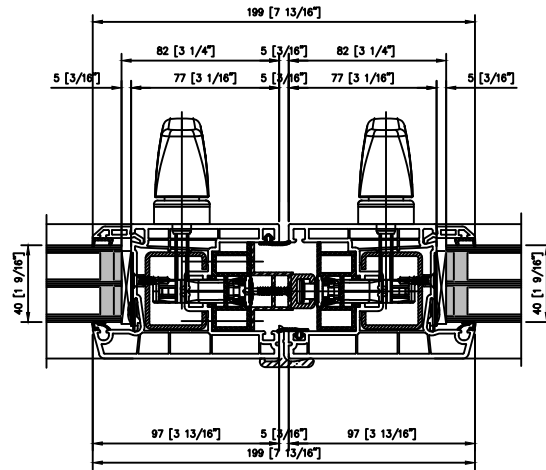


Title:
3800 SERIES - SMART SLIDE

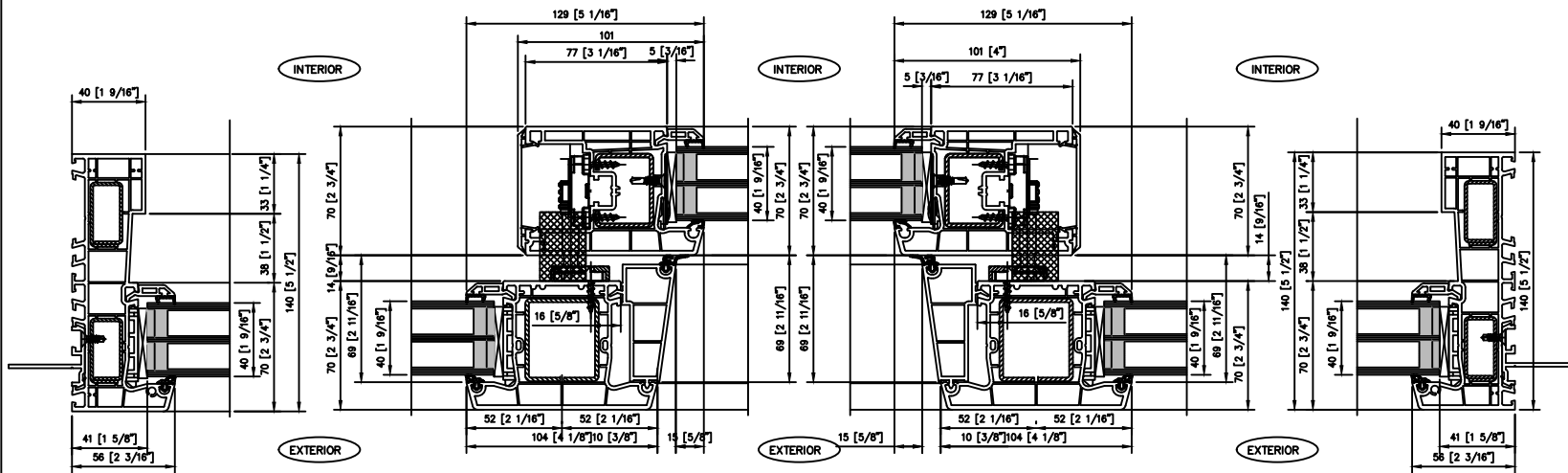
Drawing:
Triple Glaze 40mm (1-9/16")
OX configuration

Drawn: RX Date: 2023-02-06

Drawing no. 7 Revision no. 1



(D) Mid. cross section:
meeting rail - interlock



(B) Left cross section:
Fixed door sash - outside

(C) Mid. cross section:
Sliding door interlock

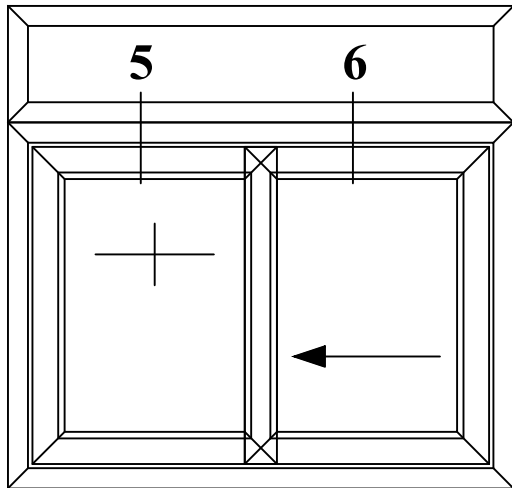
(C) Mid. cross section:
Sliding door interlock

(A) Right cross section:
Sliding door sash - inside



Title:		
3800 SERIES - SMART SLIDE		
Drawing: Triple Glaze 40mm (1-9/16") OX configuration		
Drawn: RX	Date: 2023-02-06	
Drawing no. 8		Revision no. 1

OX

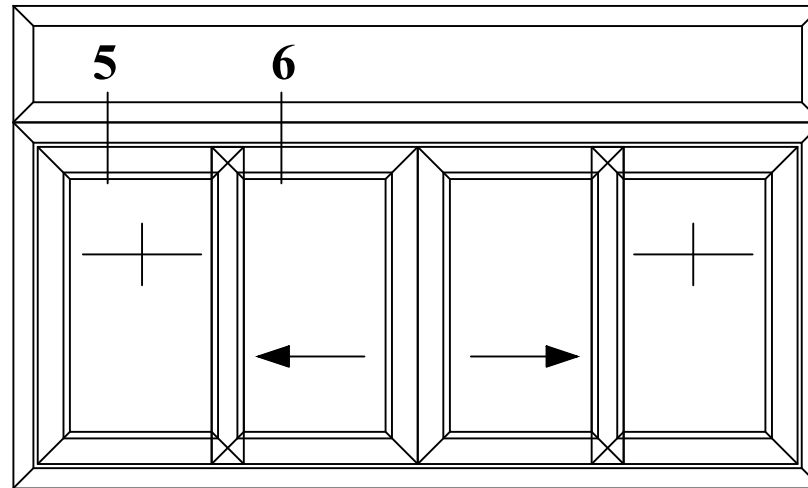


ELEVATION VIEW
EXTERIOR SIDE

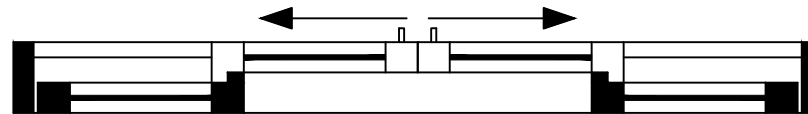


PLAN VIEW
EXTERIOR SIDE

OXXO



ELEVATION VIEW
EXTERIOR SIDE



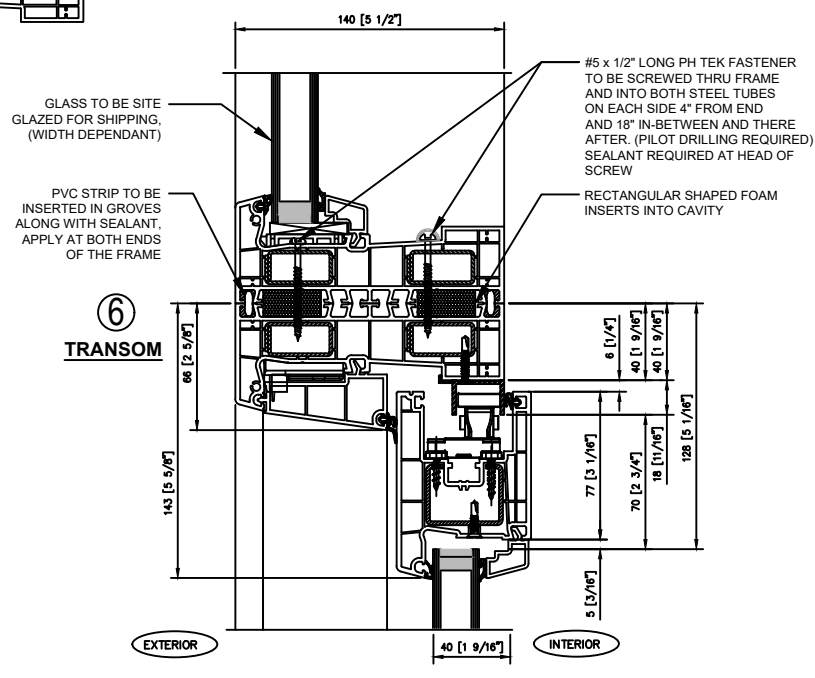
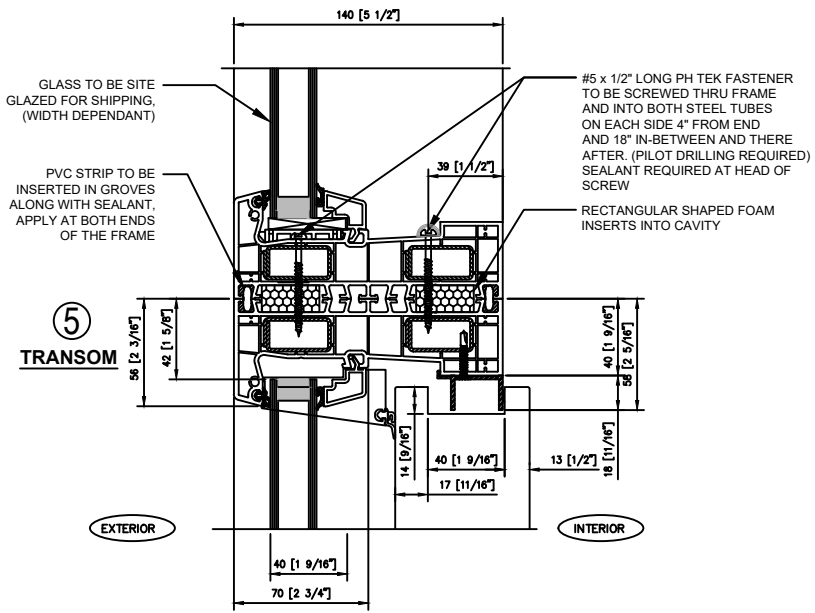
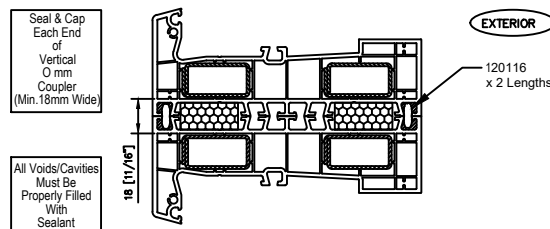
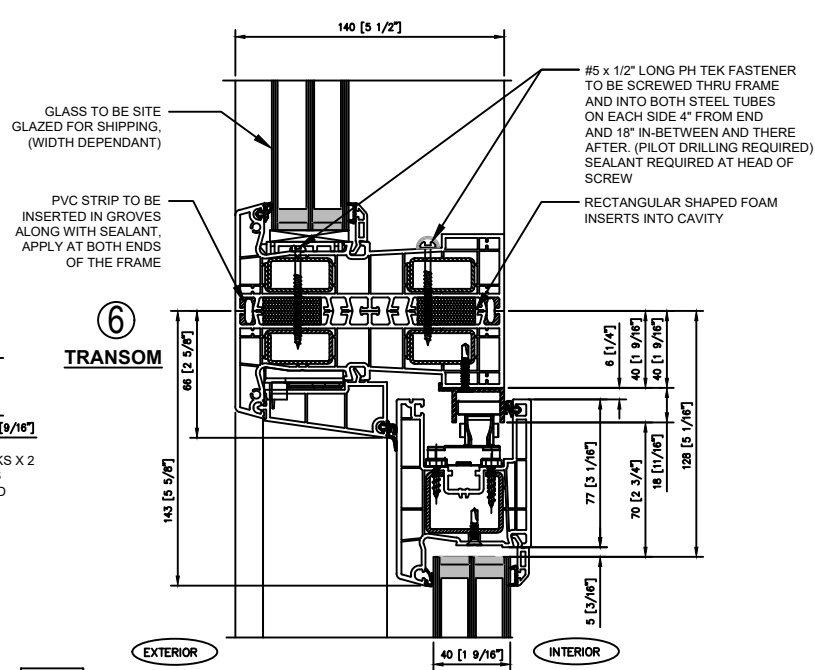
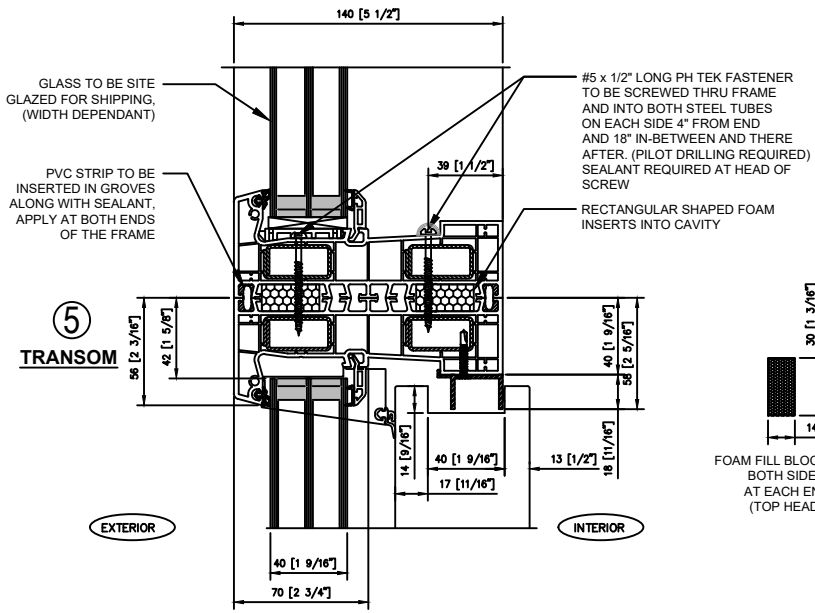
PLAN VIEW
EXTERIOR SIDE



Title:
3800 SERIES - SMART SLIDE

Drawing:
TRANSOM ELEVATIONS

Drawn: RX	Date: 2023-02-06	
Drawing no: 9	Revision no. 1	



Title:	
3800 SERIES - SMART SLIDE	
Drawing: TRANSOM SECTION FOR DOUBLE AND TRIPLE GLAZE	
Drawn: RX	Date: 2023-02-06
Drawing no. 10	Revision no. 1