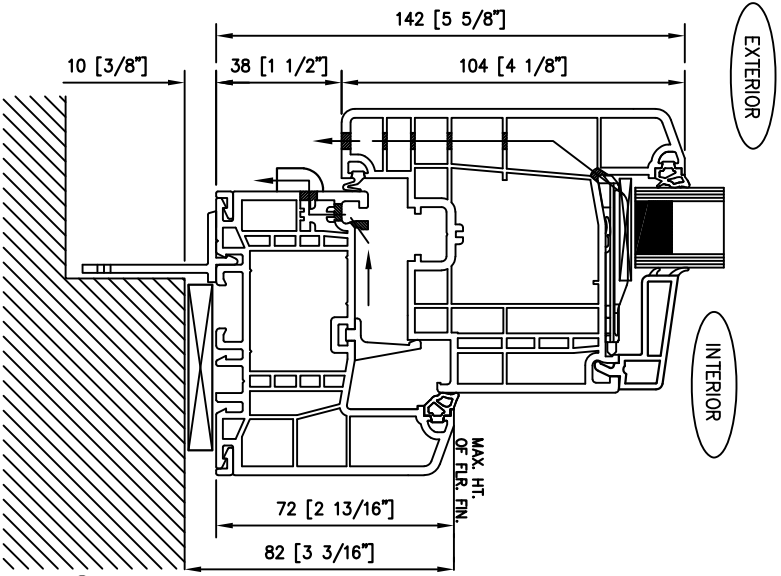
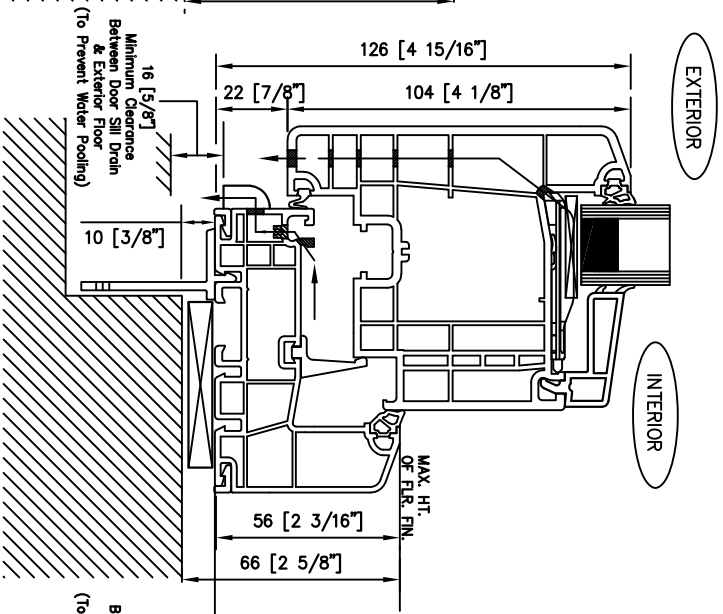


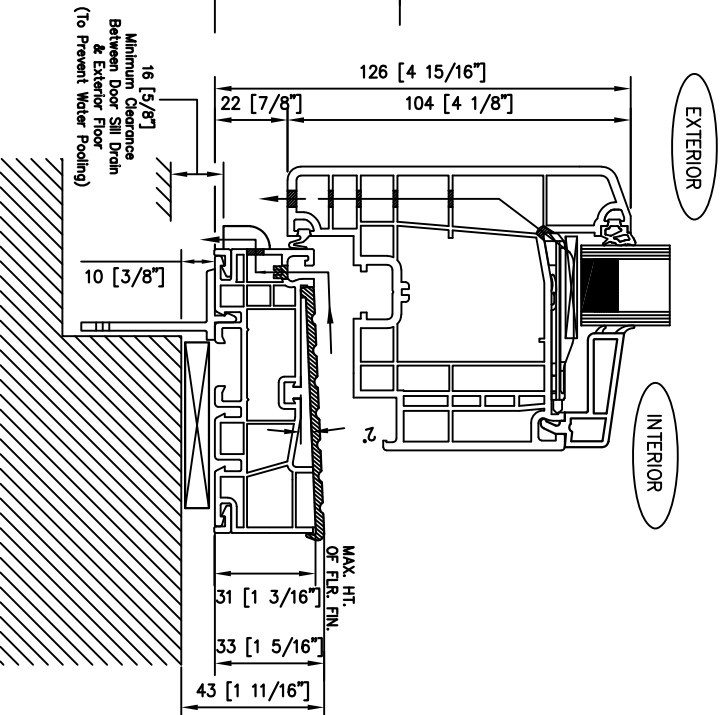
Series 4700 *THERMOPLUS*™ Door Hybrid Outswinging Door Sills



STANDARD SILL



LOW SILL



BARRIER-FREE SILL

Low Sill & Barrier-Free Sill Applications

Need to maintain a 16mm [5/8"] minimum clearance height between the exterior door sill drains and exterior floor in order to prevent water from pooling during extreme rain fall otherwise there is a risk of water getting drawn towards the interior through the exterior drain sill slots if the building is under negative pressure