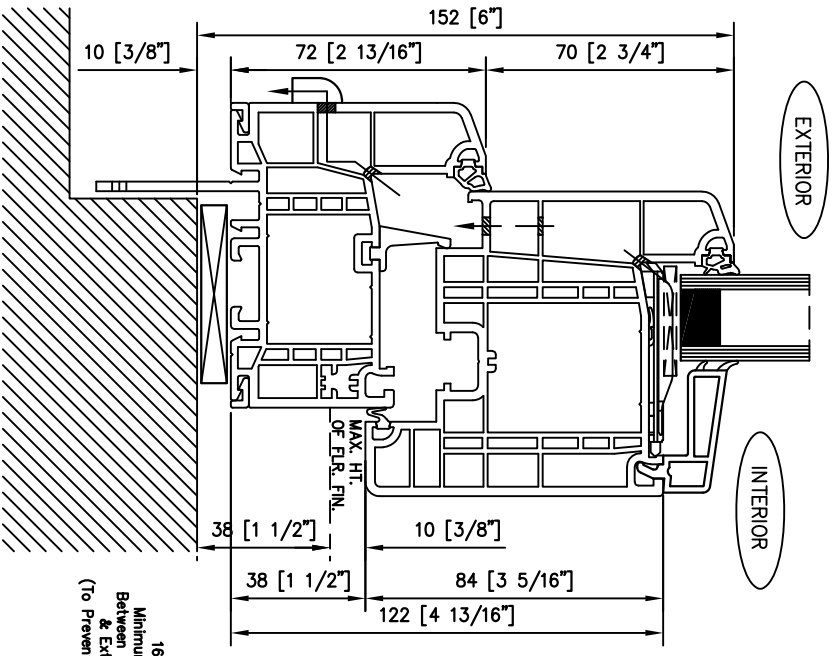
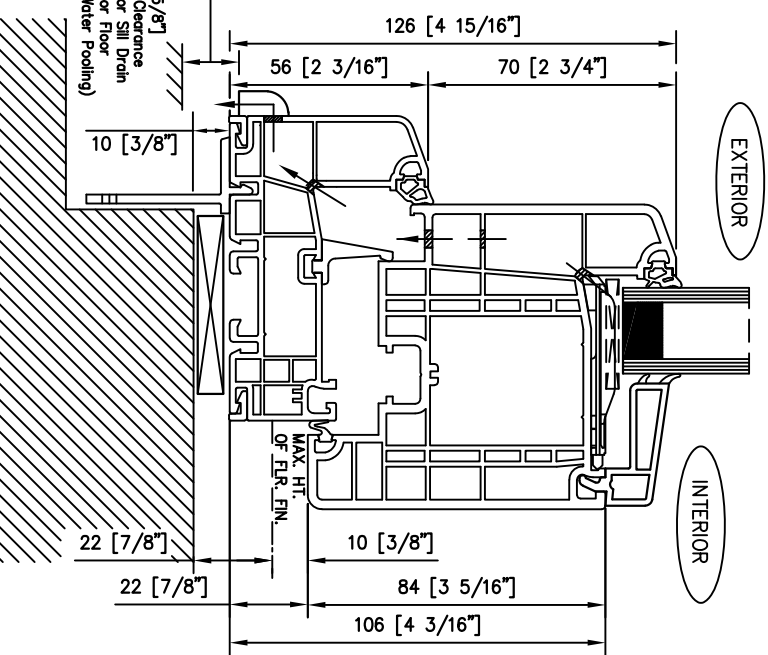


Series 4700 THERMOPLUS™ Door
Hybrid Inswinging Door Sills

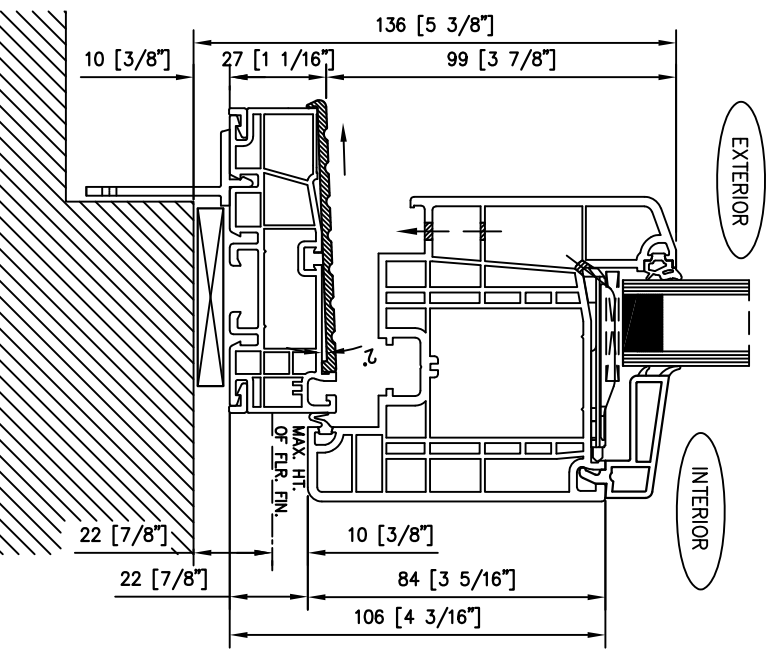


STANDARD SILL



LOW SILL

Low Sill Applications



BARRIER-FREE SILL

Need to maintain a 16mm [5/8"] minimum clearance height between the exterior door sill drains and exterior floor in order to prevent water from pooling during extreme rain fall otherwise there is a risk of water getting drawn towards the interior through the exterior drain sill slots if the building is under negative pressure