



EUROLINE

W I N D O W S

*The Art and Practice
of Fenestration*

**INSTALLATION INSTRUCTIONS
SMART SLIDE DOOR**

CONTENTS

	Page No.
Introduction	1
Important Instructions.....	1
Materials and Tools Required.....	2
Rough Openings.....	2
Terminology.....	3
Sealant Joint Placement.....	4
Smart-Slide Door Install- Fixed Sash Jamb - Outside	5
Smart-Slide Door Install - Fixed Sash Sill - Outside	6



INTRODUCTION

IMPORTANT INSTRUCTIONS

PLEASE READ BEFORE YOU START INSTALLATION

IMPORTANT

Leaving tightly spaced windows/doors in the sun can result in overheating of the sealed units and extrusions, which may result in damage. Ensure that product is secured to a wall to prevent any damage

IMPORTANT

Improper installation may void all warranties expressed or implied. Installation Instructions are also available on our website.

CONTACT INFORMATION

EuroLine Windows Inc.
7620 MacDonald Road,
Delta BC V4G 1N2

Telephone: 604-940-8485

Fax: 604-940-8486

Toll-Free: 1-800-337-8604

Web Site: 1-800-337-8604

RECEIVING:

Carefully inspect all windows and doors at the time you receive them and again at the time you install them. Any visible defects with the product must be reported to EuroLine before installation begins.

HANDLING:

Window and door units are to be handled carefully to avoid damage. They must be moved in the vertical position. If the product is supplied with a flange it must rest on shipping blocks that are temporarily attached.

COLD WEATHER CAUTION: Use special care when handling or installing below 5° C (40°F). Avoid any impact to frames, sash, or glazing beads.

STORAGE:

Store the units at a slight lean against a wall on a flat, level area, undercover. Allow adequate spacing between the products for ventilation.

BUILDING CODES:

It is the responsibility of the owner, architect, or builder to select and install products in compliance with applicable laws, regulations, and building codes.

BUILDING ENVELOPE:

To minimize the danger of leakage at window openings, various other items, such as properly configured head flashings, perimeter penetration flashings, sealant joints, building wraps, and similar components, are of critical importance. Typically, some of these components need to be installed prior to the window installation, while others must follow the window installation. The specific configurations of such flashings and similar components are dependent on the specific wall construction and assembly and should be determined by the project architect, a building envelope specialist, or a similar design professional. This manual does not address such items, and EuroLine is not responsible for the proper design or installation of these.

INSTALLATION:

Proper installation is necessary for this window or door to perform as designed and rated for water and air resistance. **EuroLine products must be installed plumb, level, and square.**

SHOP DRAWINGS:

If you have EuroLine shop drawings, refer to these for **specific installation instructions.**

CARE AND MAINTENANCE:

Protect windows/doors from welding splatter, grinding sparks, concrete, mortar, stucco, paint, and other harmful construction materials. To clean vinyl, use a mild soap and water solution. To clean the glass, use a soft, grit-free cloth and glass cleaner. On all operable windows and doors, keep the channel at sill free of debris and protect sills from traffic damage. Keep all weep holes open for proper drainage. The protective film must be removed on completion of installation. Clean and lubricate all hardware after construction. Ongoing maintenance and adjustments are described in our maintenance manual, available by contacting our sales office or visiting our website.

PERFORMANCE DATA:

Our products are tested to ASTM test standards, CSA A440 Standards, and are NFRC certified for thermal performance. Data is available upon request.

MATERIALS AND TOOLS

Tools

- Spirit level
- Framing hammer
- Screwdriver/screw gun
- Tape measure
- 11 mm wrench
- 4 mm Allen key

Materials

- Shims: use non-deteriorating, non-swelling, hard plastic (4"x1 ½ ") of several thicknesses to suit. Shims may be purchased from Euro-Line Windows in thickness of 2,3,4,5, and 6 mm.
- 2" Galvanized Roofing Nails (10 ½ ga.)
- 1 ½" #10 Pan Head Tapping Screws (cad plated)

ROUGH OPENINGS

Make sure that the rough openings are square, and that they have a level sill and plumb (vertical) jambs. Make sure that the outside face of the wall is straight and plumb. If a rough opening is out-of-square, adjust the thickness of the shim blocks as necessary to make sure that you install the window or door frame in a square, level and plumb way.

If you see any rough openings that are not acceptable for frame installation, tell the general contractor or the party responsible for the construction. Get written authorization from the general contractor or from the responsible party before you install frames in unacceptable openings.

Make sure that the general contractor corrects the rough opening if you find the rough opening does not allow you to install the frame perfectly level, square, straight in every direction and plumb, and does not provide a minimum of 3/8" (10 mm) and no larger than 1/2" (12 mm) clearance between the top of the frame and the top of the rough opening.

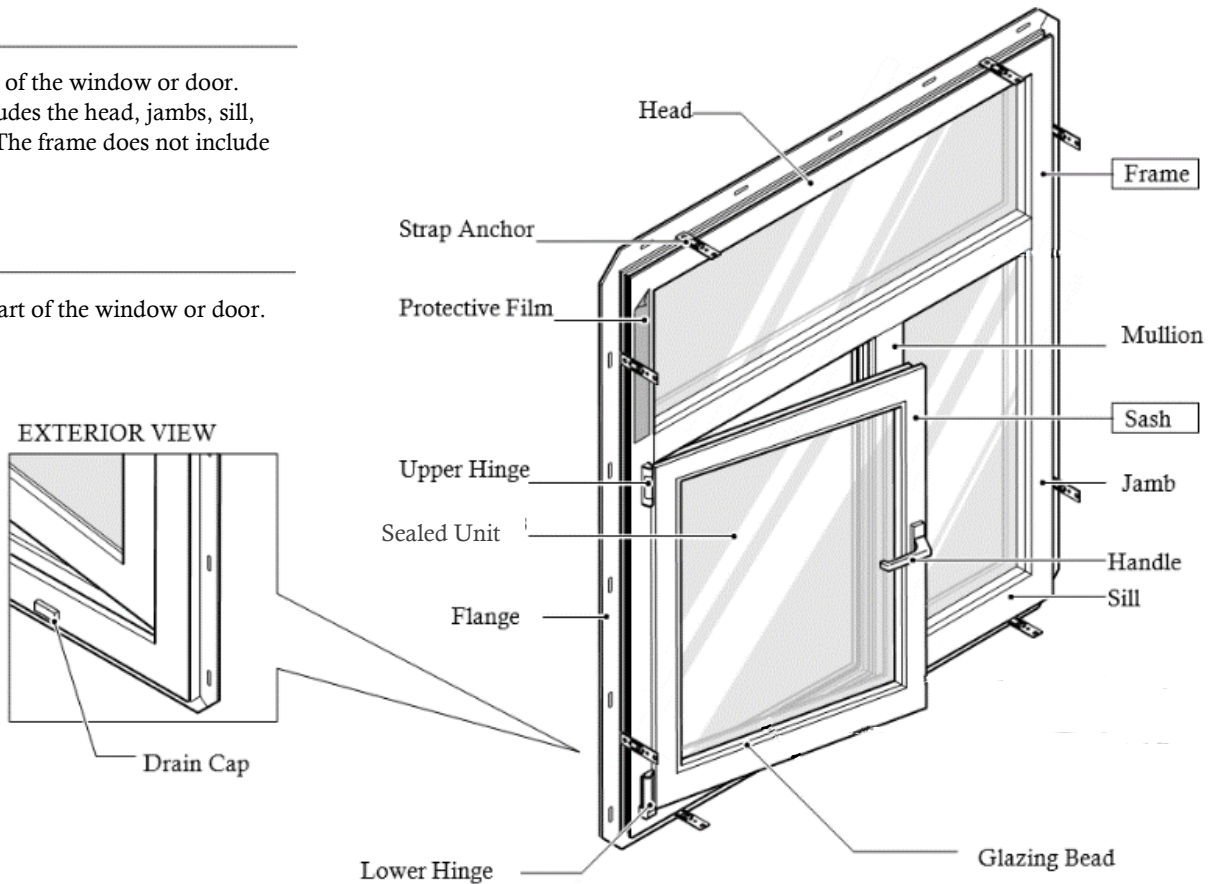
TERMINOLOGY OF TILT & TURN WINDOW

FRAME

The fixed parts of the window or door. The frame includes the head, jambs, sill, and mullions. The frame does not include the sash.

SASH

The movable part of the window or door.



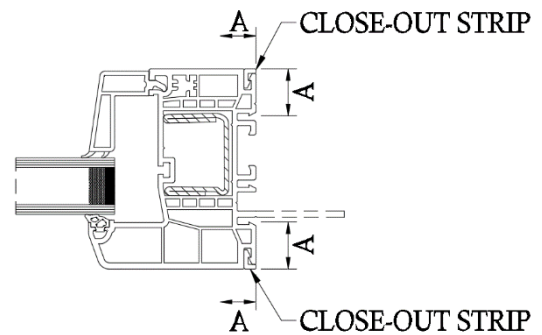
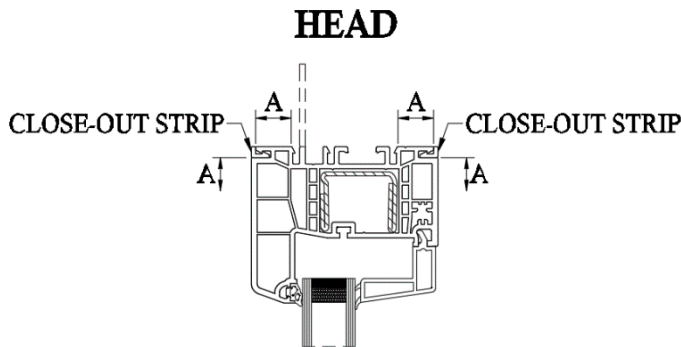
SEALANT JOINT PLACEMENT

Sealants – Important Notes

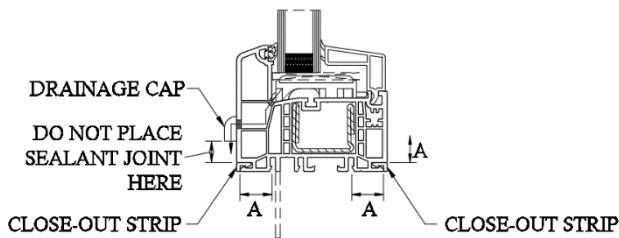
Design of sealant joints and the selection of sealants are not the responsibility of Euroline Windows. Sealants must be compatible with the window materials to which they adhere. Check with your sealant supplier that the sealant is compatible with the uPVC, the laminate covering the uPVC, metal surfaces, caulked surfaces, or any other material of the window system to which you plan to have a sealant joint.

If you are unsure as to the material composition of the window, contact EuroLine Windows for more information.

The placement of the sealant joint must be located as shown on the cross-sections below (location “A”). Care must be taken not to bridge the closeout strip, or impede water exiting the drains on the face of the frame at the sill. The same practice applies to other frames that are not included below.



JAMB



SILL

CAUTION:

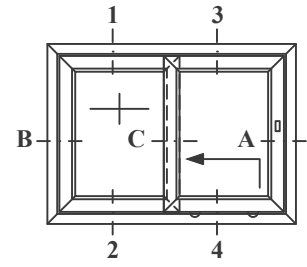
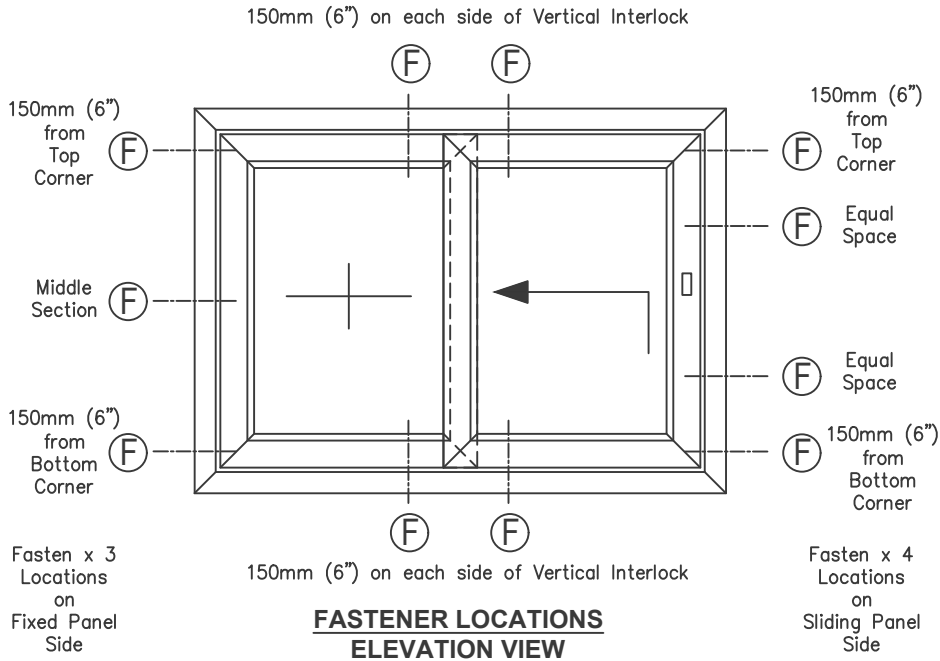
The close-out strip is not designed for air and water tightness.

To ensure an air and water seal, joint placement is as shown in one or more of the locations shown “A”.

The sealant joint must be 7/8” (22mm) below drain caps on the sill.

Series 3800 Smart-Slide Door Install - OX & XO Configurations

Fixed Sash Jamb - Outside



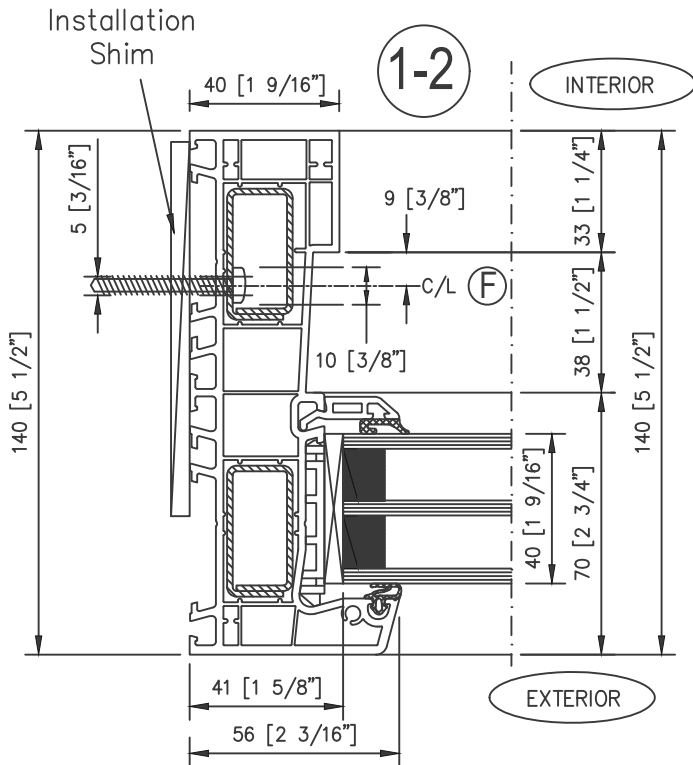
ELEVATION VIEW (EXTERIOR SIDE)



PLAN VIEW (EXTERIOR SIDE)

ⓕ -Denotes fastener location

Also Refer to Shim locations



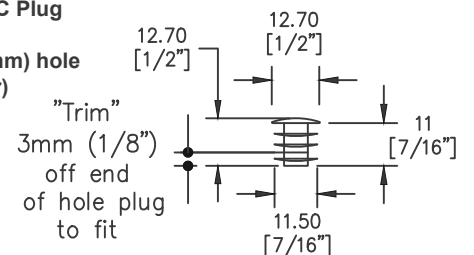
B Left cross section:
Fixed door sash jamb - outside

Fastening Through External Perimeter Frame (Denoted by F)

Applies to all perimeter frame sides (Head, Sill & Jambs)

- Pre-drill 5mm (3/16") diameter hole through both sides of uPVC frame and galvanized steel tube
- Drill 10mm (13/32") diameter hole through first inner uPVC frame wall and first layer of galvanized steel tube wall
- Ensure proper shimming at each fastener location
- Fasten through hole using #10 x 3-1/2" Panhead corrosion resistant fastener (Do not over torque as this may distort the frame)
- Plug hole in uPVC frame using 10mm PVC plug (black or white color)

Finishing 1/2" (13mm) PVC Plug for 13/32" (10mm) to 7/16" (11mm) hole (Black or white color)



Drawing #:3800-DR-SSD-FS-JAMB-INSTALL-OX-R2

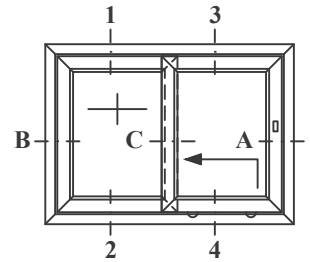
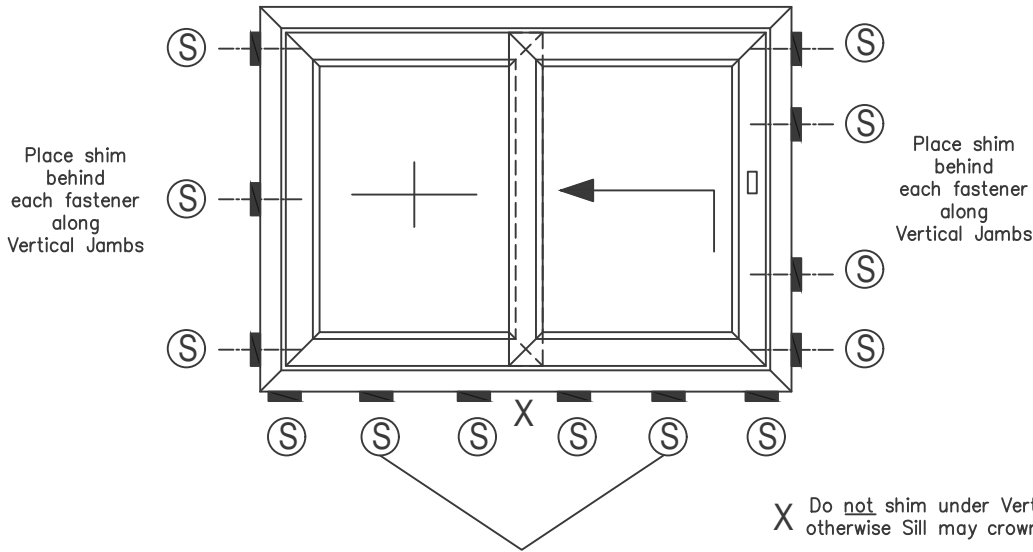
Date: 18 SEPT. 2020

Scale: 1:2

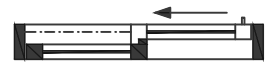
Series 3800 Smart-Slide Door Install - OX & XO Configurations

Fixed Sash Sill - Outside

Do not shim at Head



**ELEVATION VIEW
EXTERIOR SIDE**



**PLAN VIEW
EXTERIOR SIDE**

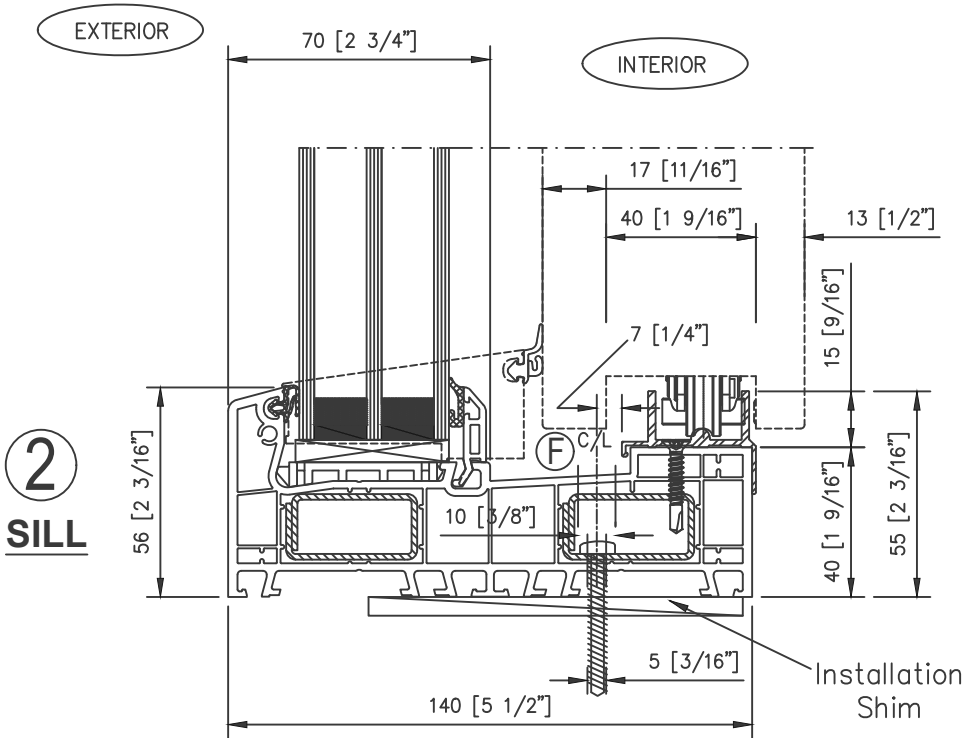
After door system is leveled & squared -
slide shims under center area of each panel

X Do not shim under Vertical Interlock
otherwise Sill may crown in this area

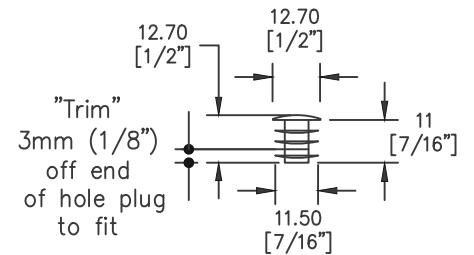
SHIM LOCATIONS ELEVATION VIEW

(S) -Denotes shim location
Typical shim size is 100mm (4") x 38mm (1-1/2") with varying thicknesses

Clearance per side between frame heel and building rough frame opening
= 13mm (1/2") +/- 3mm (1/8")



Finishing 1/2" (13mm) PVC Plug
for
13/32" (10mm) to 7/16" (11mm) hole
(Black or white color)



Drawing #:3800-DR-SSD-FS-SILL-INSTALL-OX-R2
Date: 18 SEPT. 2020
Scale: 1:2

For more information on these quality products
please contact:

EuroLine Windows Inc.

7620 MacDonald Road
Delta, BC. Canada V4G 1N2

T. 604.940.8485

F. 604.940.8486

E. mail@euroline-windows.com

W. www.euroline-windows.com

Toll Free: 1 800 337.8604

Other publications available from EuroLine Windows Inc. can be
found on our website (www.euroline-windows.com).

Do not reproduce this manual without prior written permission from Euroline Windows Inc.